



Cabinets &
Mirrors

**REFLECTION
COLLECTION**

ABOUT CROYDEX CABINETS

Adding cabinets and mirrors into any bathroom is a great way of emphasising space and light whilst ensuring a stylish focal point. The Croydex collection offers plenty of variety designed to suit rooms of different shapes and sizes.

Look out for these innovative features throughout the collection:



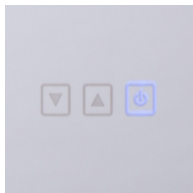
Hang 'n' Lock

Easy installation bracket which is fully adjustable and suitable for single person installation



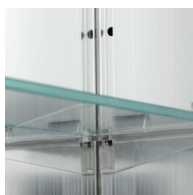
Magnifying Mirror

Perfect for applying make-up or shaving



Touch Switch

For a modern look and feel



Concealed Shelf Fittings

Discreet shelf fittings make for a finished appearance



180° Hinge

Clear access and an articulating mirror



LED lighting

Bright and economically efficient



Bevelled Edges

Added luxury finishing touch



Rocker Switch

Tactile on/off switch



Recessed Options

Ideal for bathrooms that require additional space saving



Shaver Socket

Allows easy access to charging and usage point



Demister Pad

Allowing mirrors to remain steam free and usable at all times



FSC®

Any item that includes this logo in its description includes wood from well managed forests and other controlled sources certified by the Forest Stewardship Council®. By buying products with the FSC label you are supporting the growth of responsible forest management worldwide. The mark of responsible forestry.



Rainforest Alliance Certified™

The Rainforest Alliance is an international nonprofit conservation organisation that certifies forestry operations, ensuring that they meet rigorous standards for the conservation of natural resources and the rights and welfare of workers and local communities.



CONTENTS

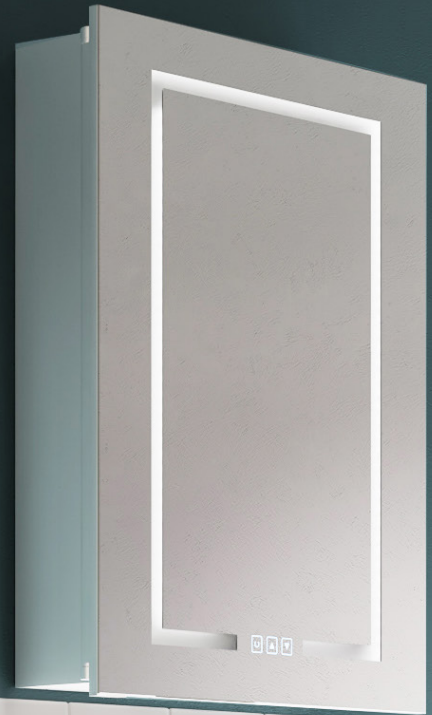
ILLUMINATED CABINETS	04
CABINETS	08
BATHROOM FURNITURE	26
ILLUMINATES MIRRORS	32
MIRRORS	38
PLASTIC CABINETS	42
HANG N' LOCK EXPLAINED	43

ILLUMINATED CABINETS

Add an illuminated cabinet into your bathroom for a stylish and functional accessory. The mirrored doors and bright LED lighting strips will maximise space whilst providing a relaxing ambiance giving any room a luxurious finish.

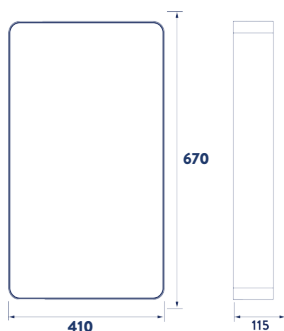
All cabinets are supplied fully assembled and come with all fixtures, fittings and bulbs included. Not only will these cabinets add a touch of elegance to your room, they are also RoHS compliant and IP24/44 rated, meaning they are suitable for use in the outside zone.

AVAILABLE IN A VARIETY OF SIZES & STYLES



MEDWAY ILLUMINATED CABINET

- High quality mirrored stainless steel with mirrored door
- Decorative LED lighting bar
- IP44 Rated, suitable for use in the outside zone
- Fixed internal stainless steel shelf
- Easy to install Hang 'n' Lock system (see page 130)
- All fixtures and fittings included



£187.50

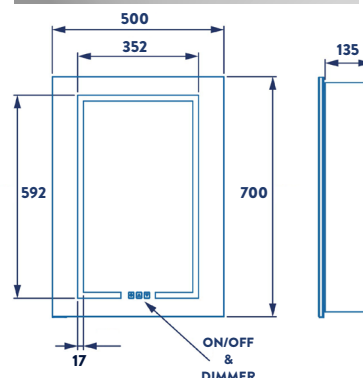
Ref. WC871405E

Mirror
H670xW410mm
Carcass
H700xW410xD115mm



CLARENCE SINGLE DOOR ILLUMINATED CABINET

- Aluminium cabinet with double sided mirrored door
- Illuminated LED mirrored door with heated demister pod
- Integrated shaver socket
- Touch sensitive on/off power switch
- Two adjustable tempered glass shelves
- Easy to install Hang 'n' Lock system (see page 43)
- IP44 rated, suitable for use in the outside zone
- Packaging: Brown box with colour label



£479.17

Ref. WC147669E

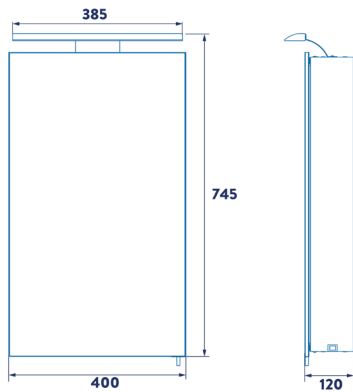
Mirror
H700xW500mm
Carcass
H500xW450xD135mm

ILLUMINATED CABINETS



JEFFERSON SINGLE DOOR ILLUMINATED CABINET

- Aluminium cabinet with double sided mirrored door
- Decorative over door LED light bar with rocker switch operation
- Integrated shaver socket
- Two adjustable tempered glass shelves
- 180 Degree hinges for increased accessibility
- Easy to install Hang 'n' Lock system (see page 43)
- IP44 rated, suitable for use in the outside zone
- Packaging: Brown box with colour label



£270.83

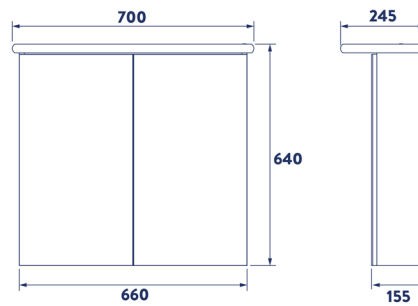
Ref. WC147769E

Mirror
H700xW400mm
Carcass
H680xW355xD105mm



THAMES DOUBLE DOOR WHITE ILLUMINATED CABINET WITH HANG 'N' LOCK

- White MDF cabinet with mirrored doors
- One internal shelf
- Integrated shaver socket
- One halogen downlighter
- IP24 rated, suitable for use in the outside zone
- Easy to install Hang 'n' Lock system (see page 43)
- Packaging: Brown box



£295.85

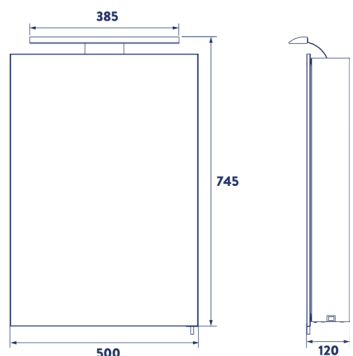
Ref. WC146022E

Mirror
H610xW660mm
Carcass
H610xW660xD155mm



MADISON SINGLE DOOR ILLUMINATED CABINET

- Aluminium cabinet with double sided mirrored door
- Decorative over door LED light bar with rocker switch operation
- Integrated shaver socket
- Two adjustable tempered glass shelves
- 180 Degree hinges for increased accessibility
- Easy to install Hang 'n' Lock system (see page 43)
- IP44 rated, suitable for use in the outside zone
- Packaging: Brown box with colour label



£291.67

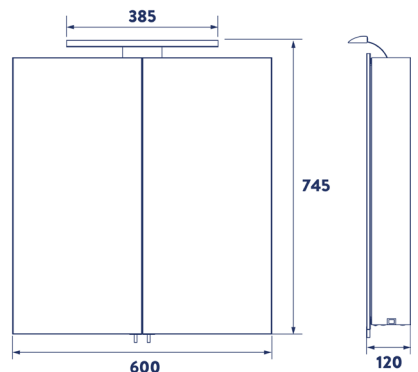
Ref. WC147369E

Mirror
H700xW500mm
Carcass
H680xW455xD105mm



SADBURY DOUBLE DOOR ILLUMINATED CABINET

- Aluminium cabinet with double sided mirrored door
- Decorative over door LED light bar with rocker switch operation
- Integrated shaver socket
- Two adjustable tempered glass shelves
- 180 Degree hinges for increased accessibility
- Easy to install Hang 'n' Lock system (see page 43)
- IP44 rated, suitable for use in the outside zone
- Packaging: Brown box with colour label



£312.50

Ref. WC147069E

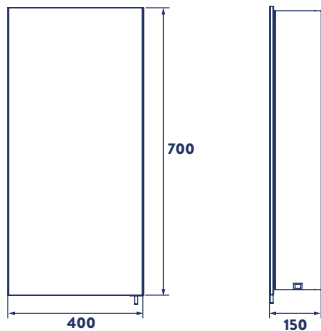
Mirror
H700xW600mm
Carcass
H680xW555xD105mm

ILLUMINATED CABINETS



MAIFORD SINGLE DOOR ILLUMINATED CABINET

- Aluminium cabinet with double sided mirror door
- Internal LED lighting panel with rocker switch operation
- Integrated shaver socket
- Two adjustable tempered glass shelves
- 180 degree hinges for increased accessibility
- Easy to install Hang 'N' Lock system (see page 43)
- IP44 rated, suitable for use in the outside zone
- Packaging: Brown box with colour label




£333.33

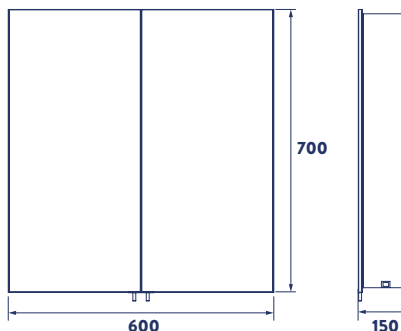
Ref. *WC147569E*

Mirror
 H700xW400mm
 Carcass
 H680xW355xD135mm



WARWICK DOUBLE DOOR ILLUMINATED CABINET

- Aluminium cabinet with double sided mirrored doors
- Internal LED lighting panel with rocker switch operation
- Integrated shaver socket
- Two adjustable tempered glass shelves
- 180 degree hinges for increased accessibility
- Easy to install Hang 'N' Lock system (see page 43)
- IP44 rated, suitable for use in the outside zone
- Packaging: Brown box with colour label




£400.00

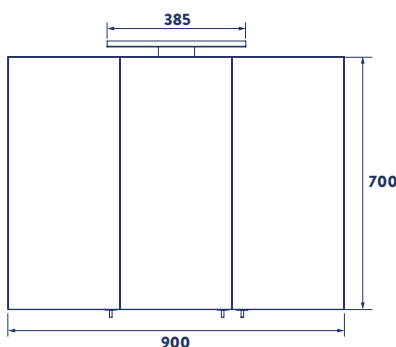
Ref. *WC147269E*

Mirror
 H700xW600mm
 Carcass
 H680xW555xD135mm



HAMPTON TRIPLE DOOR ILLUMINATED CABINET

- Aluminium cabinet with double sided mirrored door
- Decorative overdoor LED light bar with rocker switch operation
- Integrated shaver socket
- Two adjustable tempered glass shelves
- 180 degree hinges for increased accessibility
- Easy to install Hang 'N' Lock system (see page 43)
- IP44 rated, suitable for use in the outside zone
- Packaging: Brown box with colour label




£437.50

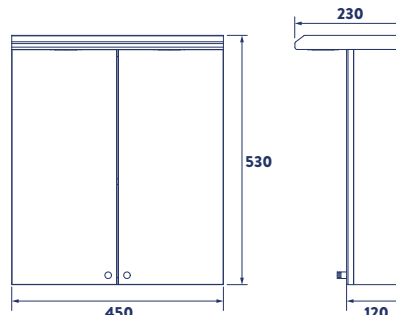
Ref. *WC147469E*

Mirror
 H700xW900mm
 Carcass
 H680xW855xD105mm



SHIRE DOUBLE DOOR WHITE ILLUMINATED CABINET

- White powder coated steel cabinet with mirrored doors
- One fixed internal shelf
- Integrated shaver socket
- Two G4 12v SELV halogen downlighters - bulbs included
- Cabinet depth excluding overhang is 120mm
- IP24 rated, suitable for the outside zone
- Easy to install, all fixtures and fittings included
- Packaging: Brown box



£187.84

Ref. *WC266222E*

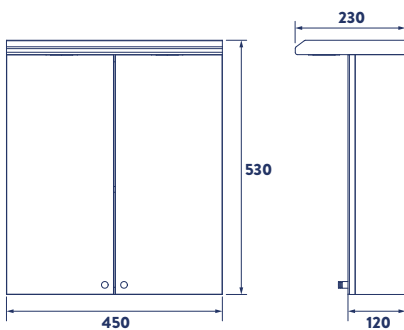
Mirror
 H500xW450mm
 Carcass
 H500xW450xD105mm

ILLUMINATED CABINETS



SHIRE DOUBLE DOOR ILLUMINATED CABINET

- Stainless Steel cabinet with mirrored doors
- Supplied fully assembled
- Two halogen downlighters
- Integrated shaver socket
- One fixed internal shelf
- Cabinet depth excluding overhang is 120mm
- IP24 rated, suitable for the outside zone
- Easy to install, all fixtures and fittings included
- Packaging: Brown box



£233.85

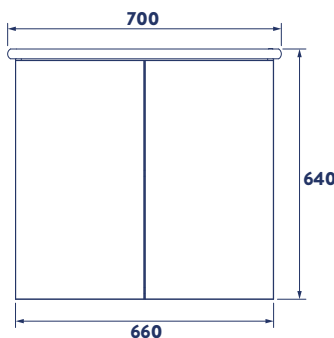
Ref. [WC266205E](#)

Mirror
500Hx450Wmm
Carcass
500Hx450Wx105Dmm



THAMES DOUBLE DOOR WHITE ILLUMINATED CABINET

- White MDF cabinet with mirrored doors
- One internal shelf
- Integrated shaver socket
- One halogen downlighter
- IP24 rated, suitable for use in the outside zone
- Packaging: Brown box



£266.26

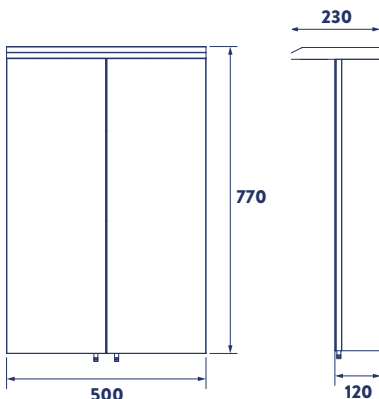
Ref. [WC146122E](#)

Mirror
H610xW660mm
Carcass
H610xW660xD155mm



COLORADO DOUBLE DOOR LARGE ILLUMINATED CABINET

- Highly polished stainless steel cabinet with mirrored doors
- 120 degree sprung hinges
- Supplied fully assembled
- Two glass shelves
- Chrome plated pin handle (avoiding finger marks on mirror)
- Stainless steel pelmet with 2 x downlighters
- IP44 rated, suitable for use in the outside zone
- Cabinet depth excluding overhang is 120mm
- Easy to install, all fixtures and fittings included
- Packaging: Brown box with colour label



£309.93

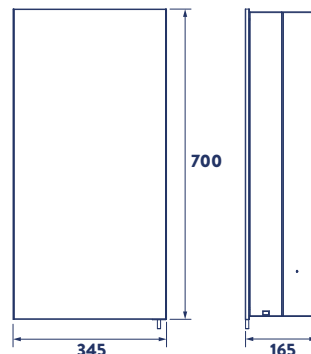
Ref. [WC786105E](#)

Mirror
H740xW500mm
Carcass
H740xW500xD100mm



HOUSTON SINGLE DOOR ILLUMINATED CORNER

- Aluminium cabinet with double sided mirrored door
- Internal LED lighting panel with rocker switch operation
- Integrated shaver socket
- Two adjustable tempered glass shelves
- 180 degree hinges for increased accessibility
- IP44 rated, suitable for use in the outside zone
- Packaging: Brown box with colour label



£316.67

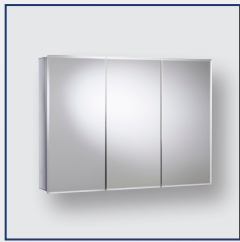
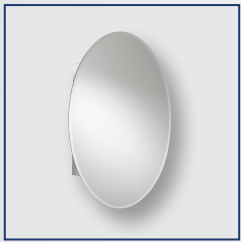
Ref. [WC147169E](#)

Mirror
H700xW345mm
Carcass
H685xW300xD145mm

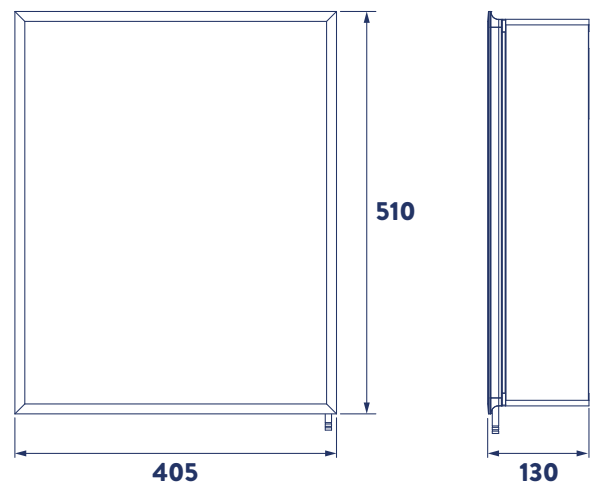
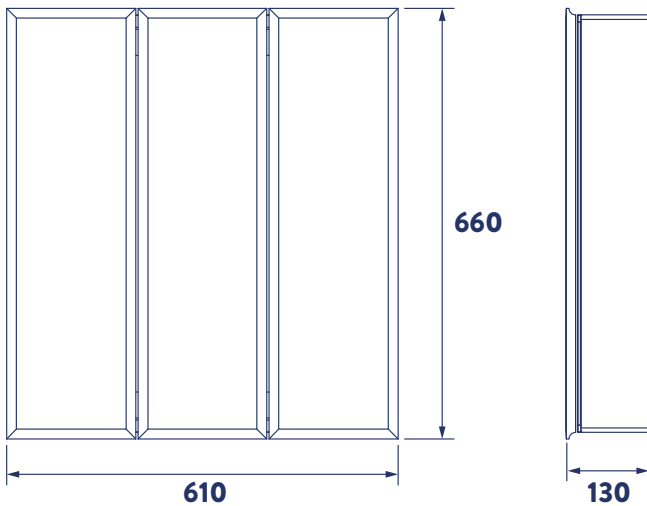
ALUMINIUM CABINETS

Incorporate timeless design into any bathroom with an illuminated cabinet. All cabinets feature back, inside door and side mirrored panels providing a statement accessory that will stand the test of time. The selection of single, bi-view and tri-view cabinets can be reversed for left or right hand opening with some also featuring the option of being recessed mounted. To ensure a clean finish pin handles eliminate fingerprints and marks.

AVAILABLE IN A VARIETY OF SIZES & STYLES



ALUMINIUM CABINETS



GROVE TRIPLE DOOR TRI-VIEW ALUMINIUM CABINET

- Aluminium cabinet with bevelled edge mirrored doors
- Nine adjustable glass shelves
- 165 Degree adjustable hinges for increased accessibility
- Recessed or surface mounted configuration
- Easy to install Hang 'n' Lock system (see page 43)
- Packaging: White box with colour label



£281.76

Ref. [WC101769](#)

Mirror
H600xW610mm
Carcass
H640xW590xD110mm

WINSTER SINGLE DOOR ALUMINIUM CABINET

- Aluminium cabinet with bevelled edge mirrored door
- Two adjustable shelves
- 105 Degree adjustable hinges for increased accessibility
- Recessed or surface mounted configuration
- Easy to install Hang 'n' Lock system (see page 43)
- Packaging: White box with colour label



£159.66

Ref. [WC101169](#)

Mirror
H510xW405mm
Carcass
H490xW385xD110mm

ALUMINIUM CABINETS



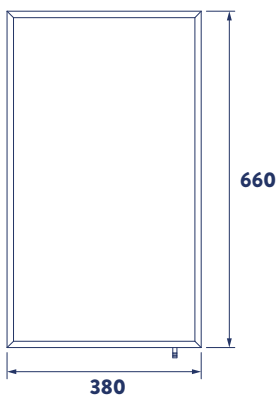
MEDINA SINGLE DOOR ALUMINIUM CABINET

- Aluminium cabinet with bevelled edge mirrored door
- Two adjustable shelves
- 165 Degree adjustable hinges for increased accessibility
- Recessed or surface mounted configuration
- Easy to install Hang 'n' Lock system (see page 43)
- Packaging: White box with colour label



LANGLEY SINGLE DOOR ALUMINIUM CABINET

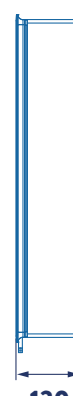
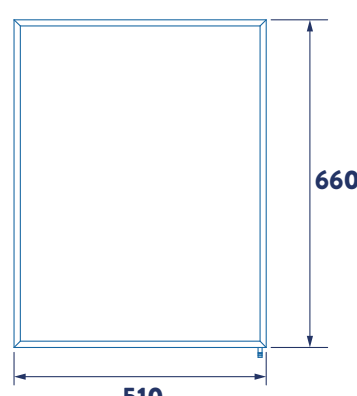
- Aluminium cabinet with bevelled edge mirrored door
- Two adjustable shelves
- 165 Degree adjustable hinges for increased accessibility
- Recessed or surface mounted configuration
- Easy to install Hang 'n' Lock system (see page 43)
- Packaging: White box with colour label



£169.04

Ref. WC101269

Mirror H660xW380mm
Carcass H640xW360xD110mm



£187.83

Ref. WC101369

Mirror H660xW510mm
Carcass H640xW490xD110mm



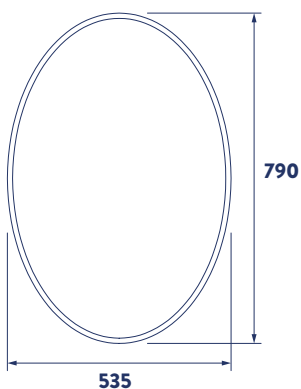
ORWELL SINGLE DOOR OVAL ALUMINIUM CABINET

- Aluminium cabinet with bevelled edge mirrored door
- Two adjustable shelves
- 150 Degree piano hinge
- Recessed or surface mounted configuration
- Easy to install Hang 'n' Lock system (see page 43)
- Packaging: White box with colour label



HAVEN SINGLE DOOR ALUMINIUM CABINET

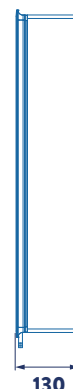
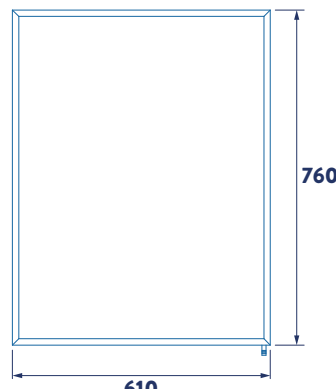
- Aluminium cabinet with bevelled edge mirrored door
- Two adjustable shelves
- 165 Degree adjustable hinges for increased accessibility
- Recessed or surface mounted configuration
- Easy to install Hang 'n' Lock system (see page 43)
- Packaging: White box with colour label



£187.83

Ref. WC101569

Mirror H790xW535mm
Carcass H500xW370xD110mm



£234.80

Ref. WC101469

Mirror H760xW610mm
Carcass H740xW590xD110mm

ALUMINIUM CABINETS



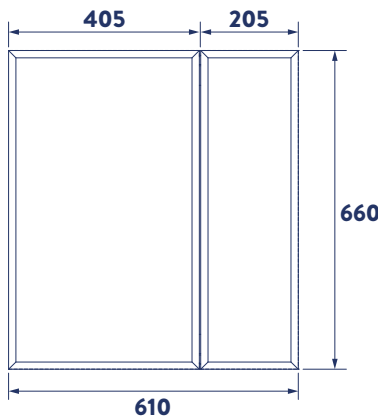
NEWTON DOUBLE DOOR BI-VIEW ALUMINIUM CABINET

- Aluminium cabinet with bevelled edge mirrored door
- Five adjustable glass shelves
- 165 Degree adjustable hinges for increased accessibility
- Recessed or surface mounted configuration
- Easy to install Hang 'n' Lock system (see page 43)
- Packaging: White box with colour label



HALTON DOUBLE DOOR BI-VIEW ALUMINIUM CABINET

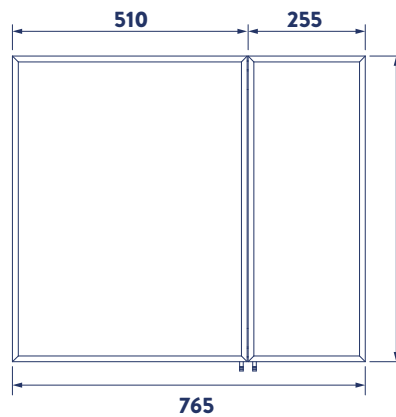
- Aluminium cabinet with bevelled edge mirrored door
- Five adjustable glass shelves
- 165 Degree adjustable hinges for increased accessibility
- Recessed or surface mounted configuration
- Easy to install Hang 'n' Lock system (see page 43)
- Packaging: White box with colour label




£234.80

Ref. *WC102069*

Mirror
 H660xW610mm
 Carcass
 H640xW590xD110mm




£253.58

Ref. *WC101669*

Mirror
 H765xW660mm
 Carcass
 H745xW640xD110mm



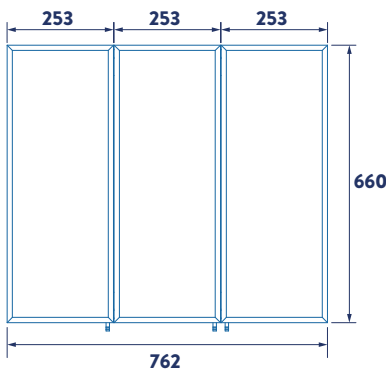
LOXLEY TRIPLE DOOR TRI-VIEW ALUMINIUM CABINET

- Aluminium cabinet with bevelled edge mirrored door
- Nine adjustable glass shelves
- 165 Degree adjustable hinges for increased accessibility
- Recessed or surface mounted configuration
- Easy to install Hang 'n' Lock system (see page 43)
- Packaging: White box with colour label



KENNET TRIPLE DOOR TRI-VIEW ALUMINIUM CABINET

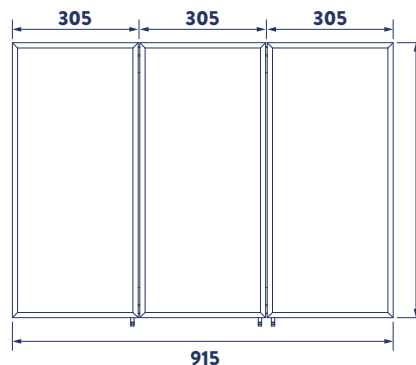
- Aluminium cabinet with bevelled edge mirrored door
- Nine adjustable glass shelves
- 165 Degree adjustable hinges for increased accessibility
- Recessed or surface mounted configuration
- Easy to install Hang 'n' Lock system (see page 43)
- Packaging: White box with colour label




£300.55

Ref. *WC101869*

Mirror
 H660xW762mm
 Carcass
 H640xW742xD110mm




£347.51

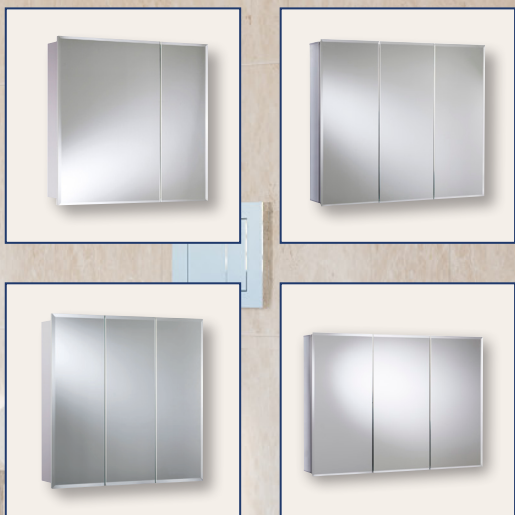
Ref. *WC101969*

Mirror
 H915xW660mm
 Carcass
 H895xW640xD110mm

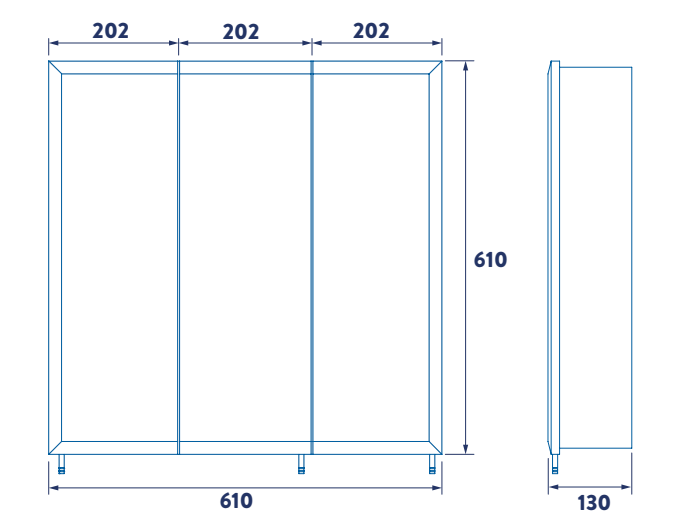
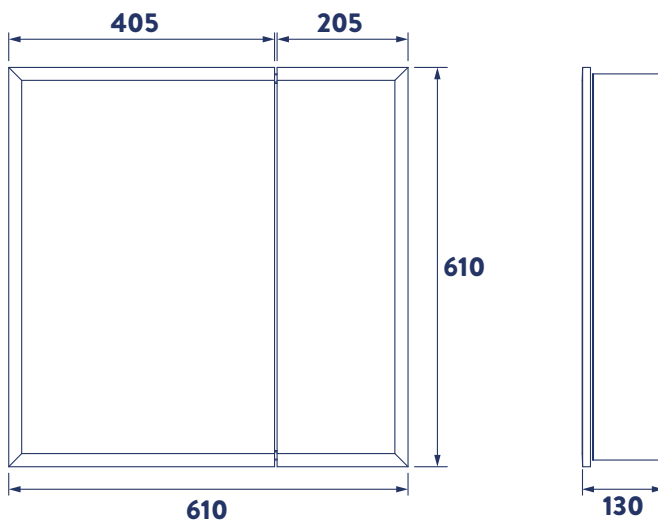
WHITE STEEL CABINETS

For a cabinet with fine detailed finish look no further than the white steel collection. The versatile look and sleek lines lend themselves to a multitude of bathroom designs. Commonly associated with high end hotels and interior design white steel provides a high shine statement that will not dull over time. Cabinets can also be reversed for doors to open left or right. Whether you are looking to achieve a modern look or update a tired room white steel cabinets will add a deluxe finish regardless.

AVAILABLE IN A VARIETY OF SIZES & STYLES



WHITE STEEL CABINETS



WELLINGTON DOUBLE DOOR BI-VIEW WHITE STEEL CABINET

- White steel cabinet with mirrored doors
- Two adjustable shelves
- 110 Degree sprung hinges
- Optional pin handles included
- Easy to install Hang 'n' Lock system (see page 43)
- Packaging: White box with colour label



£178.44

Ref. [WC102122](#)

Mirror
H610xW610mm
Carcass
H590xW590xD110mm

LYMINGTON TRIPLE DOOR TRI-VIEW WHITE STEEL CABINET

- White steel cabinet with mirrored doors
- Two adjustable shelves
- 110 Degree sprung hinges
- Optional pin handles included
- Easy to install Hang 'n' Lock system (see page 43)
- Packaging: White box with colour label



£187.83

Ref. [WC102422](#)

Mirror
H610xW610mm
Carcass
H590xW590xD110mm

WHITE STEEL CABINETS



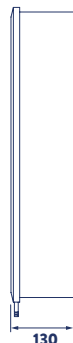
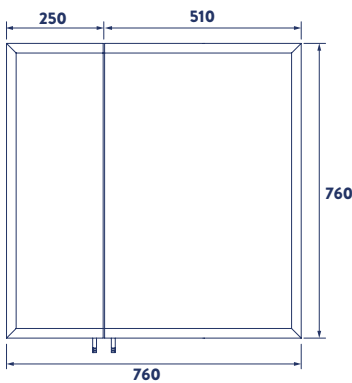
SHAWDON DOUBLE DOOR BI-VIEW WHITE STEEL CABINET

- White steel cabinet with mirrored doors
- Two adjustable shelves
- 110 Degree sprung hinges
- Optional pin handles included
- Easy to install Hang 'n' Lock system (see page 43)
- Packaging: White box with colour label



HEACHAM TRIPLE DOOR TRI-VIEW WHITE STEEL CABINET

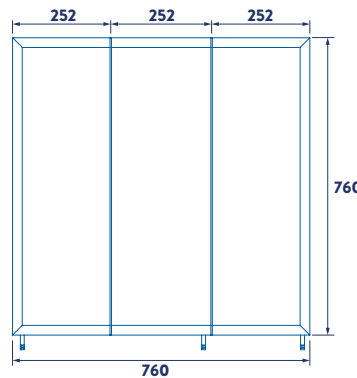
- White steel cabinet with mirrored doors
- Two adjustable shelves
- 110 Degree sprung hinges
- Optional pin handles included
- Easy to install Hang 'n' Lock system (see page 43)
- Packaging: White box with colour label



£234.80

Ref. [WC102222](#)

Mirror
H760xW760mm
Carcass
H740xW740xD110mm



£244.19

Ref. [WC102522](#)

Mirror
H760xW760mm
Carcass
H740xW740xD110mm



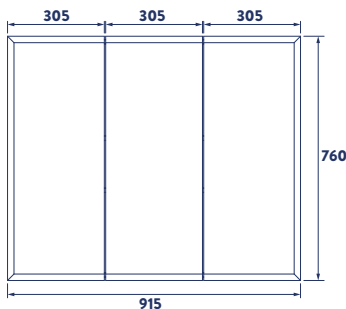
WESTBOURNE TRIPLE DOOR TRI-VIEW WHITE STEEL CABINET

- White steel cabinet with mirrored doors
- Two adjustable shelves
- 110 Degree sprung hinges
- Optional pin handles included
- Easy to install Hang 'n' Lock system (see page 43)
- Packaging: White box with colour label



BURWELL TRIPLE DOOR TRI-VIEW WHITE STEEL CABINET

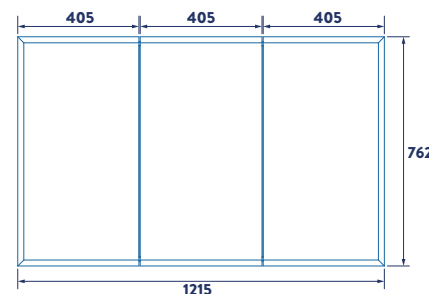
- White steel cabinet with mirrored doors
- Two adjustable shelves
- 110 Degree sprung hinges
- Optional pin handles included
- Easy to install Hang 'n' Lock system (see page 43)
- Packaging: White box with colour label



£281.76

Ref. [WC102322](#)

Mirror
H760xW915mm
Carcass
H740xW895xD110mm



£356.90

Ref. [WC102622](#)

Mirror
H1215xW762mm
Carcass
H1195xW742xD110mm

STAINLESS STEEL CABINETS

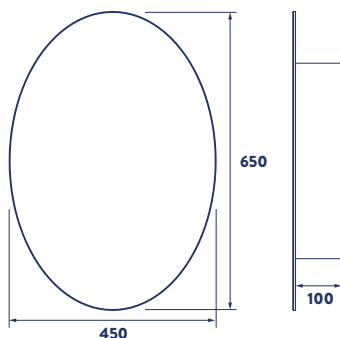
Whether you are looking for a compact one door or tall statement cabinet the stainless steel collection offers plenty of variety. Stainless steel finishes are a great option as they combine quality and durability ensuring a long-lasting robust product. Aesthetically the cabinets feature a timeless look thanks to the double sided mirrored doors and highly polished stainless steel finish. The range of styles in this collection means these cabinets will suit any bathroom.

AVAILABLE IN A VARIETY OF SIZES & STYLES



TAY OVAL STAINLESS STEEL CABINET

- Stainless steel cabinet with mirrored door
- Discreet storage solution, ideal for small spaces
- Slimline oval mirrored glass door
- 90 Degree pivot hinge
- Fixed internal stainless steel shelf
- Easy to install, all fixtures and fittings included
- Supplied fully assembled
- Packaging: White box with colour label



£84.51

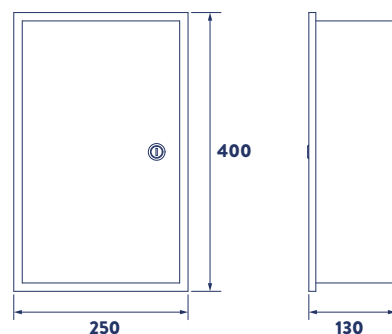
Ref. [WC870105](#)

Mirror
H650xW450mm
Carcass
H425xW300xD100mm



TRENT LOCKABLE STAINLESS STEEL CABINET

- Stainless steel cabinet with mirrored door
- 160 Degree pivot hinge to increase accessibility
- Secure locking system for storage of medicines, keys supplied
- Fixed internal stainless steel shelf
- Easy to install, all fixtures and fittings included
- Supplied fully assembled
- Packaging: White box with colour label



£59.15

Ref. [WC846005](#)

Mirror
H400xW250mm
Carcass
H375xW225xD115mm

STAINLESS STEEL CABINETS



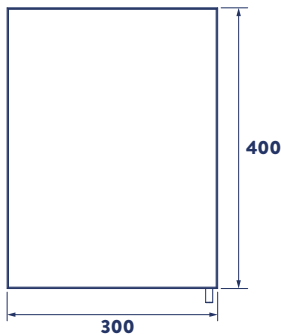
AVON SINGLE DOOR STAINLESS STEEL CABINET

- Stainless steel slimline cabinet with mirrored door
- 90 Degree sprung hinge
- Ideal for small spaces
- Fixed internal stainless steel shelf
- Easy to install, all fixtures and fittings included
- Supplied fully assembled
- Packaging: White box with colour label



CARRA SINGLE DOOR WHITE CABINET

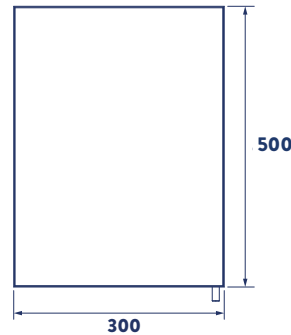
- White steel cabinet with mirrored door
- One internal shelf
- Chrome plated door handle for easy opening
- Supplied fully assembled for ease of installation
- All fixtures and fittings included



£65.73

Ref. WC856005

Mirror H400xW300mm
Carcass H400xW300xD100mm



£75.00

Ref. WC450622

Mirror H500xW300
Cabinet H500xW300xD120mm



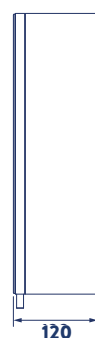
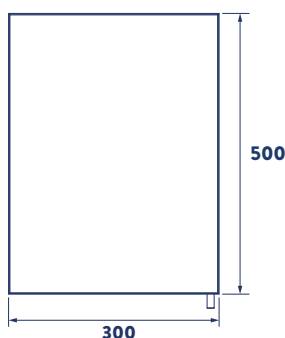
CARRA SINGLE DOOR CABINET

- Bright polished stainless steel cabinet with mirrored door
- One internal shelf
- Chrome plated door handle for easy opening
- Supplied fully assembled for ease of installation
- All fixtures and fittings included



SEVERN CIRCULAR STAINLESS STEEL CABINET

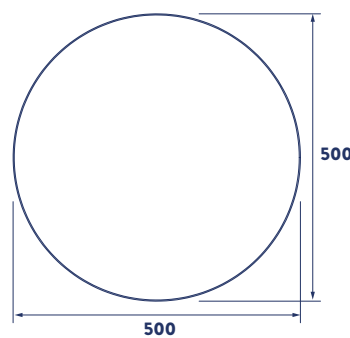
- Stainless steel cabinet with mirrored door
- Discreet storage solution, ideal for small spaces
- Slimline oval mirrored glass door
- 90 Degree pivot hinge
- Fixed internal stainless steel shelf
- Easy to install, all fixtures and fittings included
- Supplied fully assembled
- Packaging: White box with colour label



£83.33

Ref. WC450605

Mirror H500xW300
Cabinet H500xW300xD120mm



£84.51

Ref. WC836005

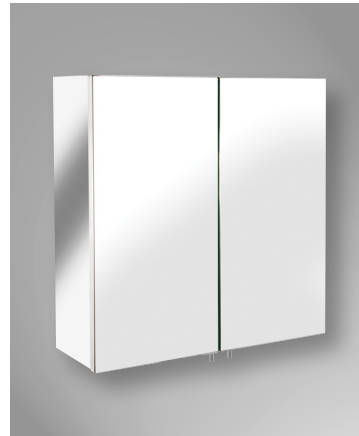
Mirror H500xW500mm
Carcass H330xW330xD100mm

STAINLESS STEEL CABINETS



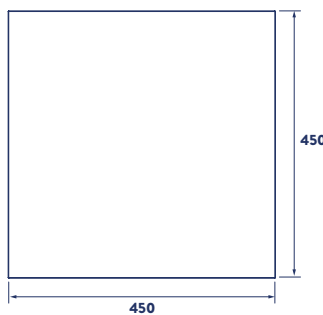
DART SQUARE STAINLESS STEEL CABINET

- Stainless steel cabinet with mirrored door
- Discreet storage solution, ideal for small spaces
- 90 Degree pivot hinge
- Fixed internal stainless steel shelf
- Easy to install, all fixtures and fittings included
- Supplied fully assembled
- Packaging: White box with colour label



AVON DOUBLE DOOR STAINLESS STEEL CABINET

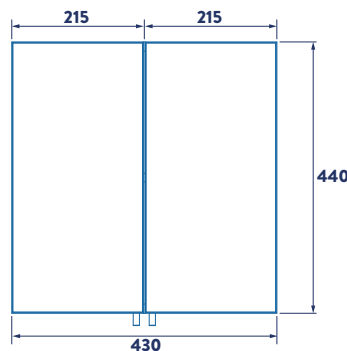
- Stainless steel slimline cabinet with mirrored doors
- Ideal for small spaces
- Fixed internal stainless steel shelf
- 90 Degree sprung hinges
- Easy to install, all fixtures and fittings included
- Supplied fully assembled
- Packaging: White box with colour label



£84.51

Ref. WC450505

Mirror
H450xW450mm
Carcass
H310xW310xD100mm



£93.91

Ref. WC866105

Mirror
H440xW430mm
Carcass
H440xW430xD135mm



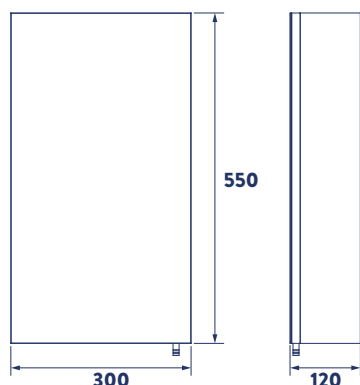
ANTON SINGLE DOOR STAINLESS STEEL CABINET

- Stainless steel cabinet with mirrored glass door
- 120 Degree sprung hinges
- Adjustable toughened glass shelf
- Chrome plated pin handle
- Wipe clean internal MDF carcass
- Easy to install, all fixtures and fittings included
- Supplied fully assembled
- Packaging: White box with colour label



CARRA DOUBLE DOOR WHITE CABINET

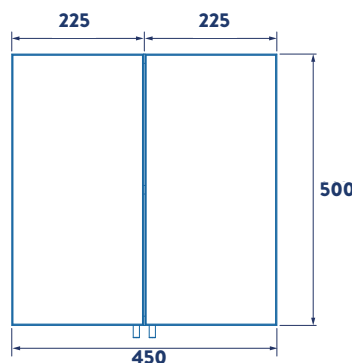
- White steel cabinet with mirrored doors
- One internal shelf
- Chrome plated door handles for easy opening
- Supplied fully assembled for ease of installation
- All fixtures and fittings included



£93.91

Ref. WC736005

Mirror
H550xW300mm
Carcass
H440xW300xD100mm



£108.33

Ref. WC450822

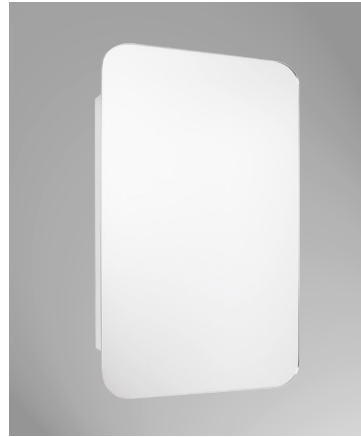
Mirror
H500xW450mm
Carcass
H500xW450xD120mm

STAINLESS STEEL CABINETS



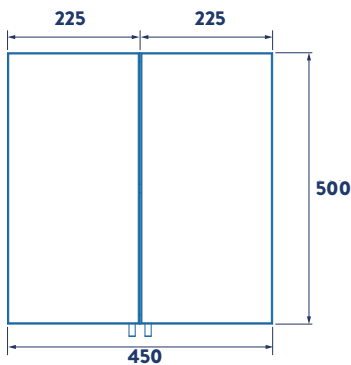
CARRA DOUBLE DOOR CABINET

- Bright polished stainless steel cabinet with mirrored doors
- One internal shelf
- Chrome plated door handles for easy opening
- Supplied fully assembled for ease of installation
- All fixtures and fittings included



MEDWAY CABINET

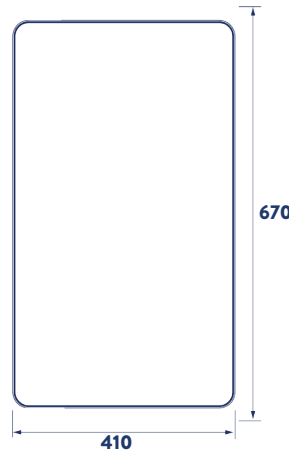
- High quality mirrored stainless steel with mirrored door
- Fixed internal stainless steel shelf
- Easy to install Hang 'n' Lock system (see page 130)
- All fixtures and fittings included



£120.83

Ref. [WC450805](#)

Mirror
H500xW450mm
Carcass
H500xW450xD120mm



£133.33

Ref. [WC871505](#)

Mirror
H670xW410mm



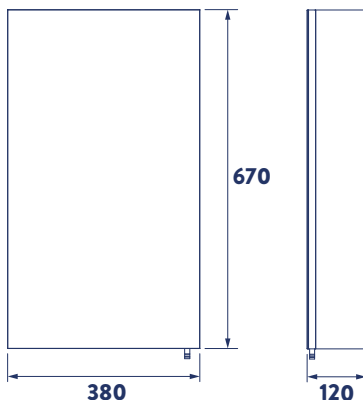
COLORADO SINGLE DOOR LARGE STAINLESS STEEL CABINET

- Stainless steel cabinet with mirrored door
- Adjustable glass shelf
- 120 Degree sprung hinges
- Chrome plated pin handle
- Wipe clean internal MDF carcass
- Storage box on inside door
- All fixtures and fittings included
- Supplied fully assembled
- Packaging: White box with colour label



ANTON DOUBLE DOOR STAINLESS STEEL CABINET

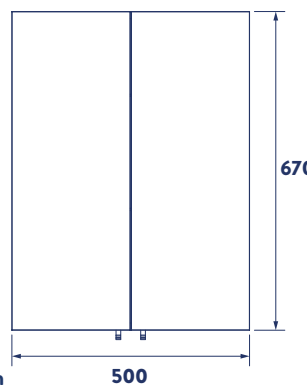
- Stainless steel cabinet with mirrored door
- 120 Degree sprung hinges
- Two adjustable and removable toughened glass shelves
- Chrome plated pin handles
- Wipe clean internal MDF carcass
- Easy to install, all fixtures and fittings included
- Supplied fully assembled
- Packaging: White box with colour label



£164.36

Ref. [WC746005](#)

Mirror
H670xW380mm
Carcass
H670xW380xD100mm



£169.04

Ref. [WC756105](#)

Mirror
H670xW500mm
Carcass
H670xW500xD100mm

STAINLESS STEEL CABINETS



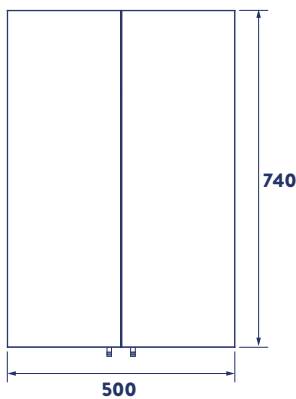
COLORADO DOUBLE DOOR LARGE STAINLESS STEEL CABINET

- Stainless steel cabinet with mirrored door
- 120 Degree sprung hinges
- Two adjustable glass shelves
- Wipe clean internal MDF carcass
- Easy to install, all fixtures and fittings included
- Supplied fully assembled
- Packaging: White box with colour label



AVISIO DOUBLE DOOR STAINLESS STEEL CORNER CABINET

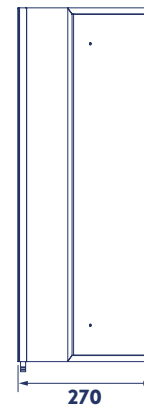
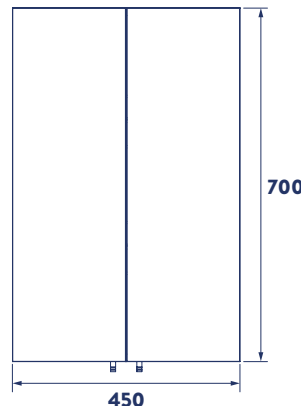
- Stainless Steel cabinet with mirrored doors
- 120 Degree hinges to increase accessibility
- Two adjustable toughened glass shelves
- Chrome plated pin handles
- Wipe clean internal MDF carcass
- Easy to install, all fixtures and fittings included
- Supplied fully assembled
- Packaging: White box with colour label



£211.31

Ref. WC776105

Mirror
H740xW500mm
Carcass
H740xW500xD100mm



£225.40

Ref. WC766105

Mirror
H700xW450mm
Carcass
H700xW450xD250mm



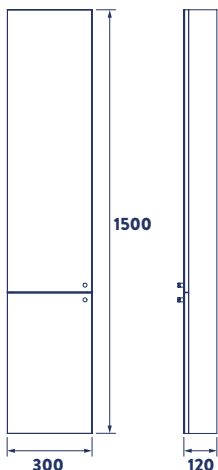
NILE TALL STAINLESS STEEL CABINET

- Stainless steel cabinet with mirrored doors
- Four adjustable glass shelves
- 120 Degree hinges
- Internal MDF carcass
- All fixtures and fittings included
- Supplied fully assembled
- Packaging: White box with colour label



HARPER STAINLESS STEEL TRIPLE DOOR CABINET

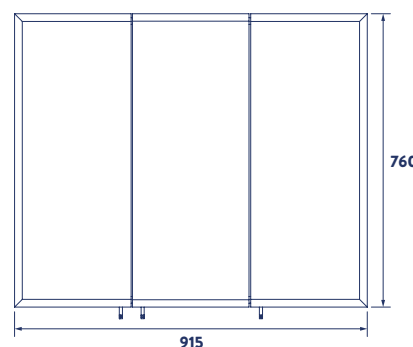
- Polished stainless steel cabinet with bevelled mirrored doors
- Four adjustable stainless steel shelves
- 110 Degree sprung hinges
- Optional pin handles included
- Can be left or right hand mounted
- Easy to install Hang 'n' Lock system(see page 43)
- All fixtures and fittings included
- Supplied fully assembled
- Packaging: White box with colour label



£256.40

Ref. WC796005

Mirror
H1500xW300mm
Carcass
H1500xW300xD100mm



£347.51

Ref. WC225605

Mirror
H760xW915mm
Carcass
H740xW895xD110mm

WOODEN CABINETS

Available in a selection of sizes, finishes and styles all wooden cabinets are full of character designed to bring an abundance of ambiance to any bathroom. Incorporating natural finished accessories is a trend that has been consistently popular over the past few years and doesn't look to be going out of fashion anytime soon. All wood is FSC® certified and has passed thorough product testing. Add a wooden cabinet to any existing décor to provide a warm and established finish.

AVAILABLE IN A VARIETY OF SIZES & STYLES



WOODEN CABINETS



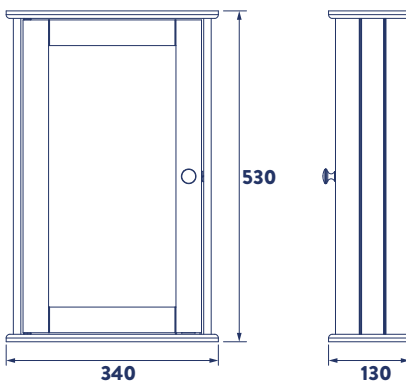
BLANCO SINGLE MIRROR DOOR CABINET

- White wooden single mirror door cabinet
- One adjustable shelf
- Easy to install Hang 'n' Lock system (see page 43)
- Simple self - assembly format
- All fixtures and fittings included
- Packaging: White box with colour label



ANDERSON DOUBLE MIRROR DOOR CABINET

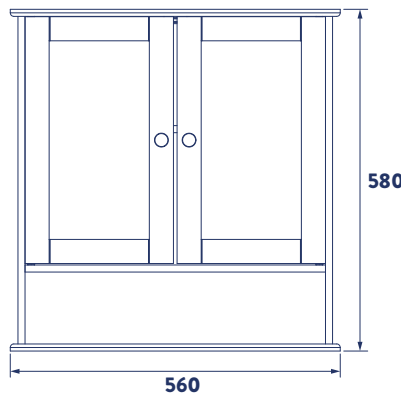
- White wooden double mirror door cabinet
- One adjustable shelf
- One fixed open shelf
- Easy to install Hang 'n' Lock system (see page 43)
- Simple self - assembly format
- All fixtures and fittings included
- Packaging: White box with colour label



£46.83

Ref. *WC271022*

Door H500xW285mm
Carcass H500xW285xD120mm



£73.46

Ref. *WC271122*

Door H500xW285mm
Carcass H550xW500xD120mm



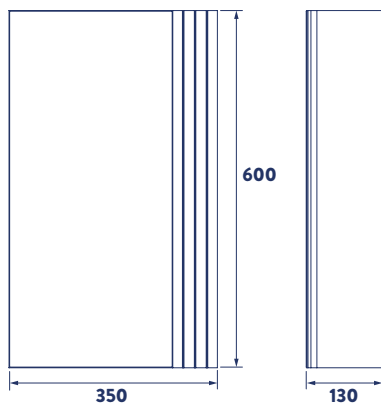
WHITE SINGLE DOOR CABINET

- Gloss white MDF cabinet with mirrored door
- Two adjustable glass shelves
- Left or right door opening
- Easy to install Hang 'n' Lock system (see page 43)
- Supplied fully assembled
- Packaging: White box with colour label



WHITE DOUBLE DOOR BI-VIEW CABINET

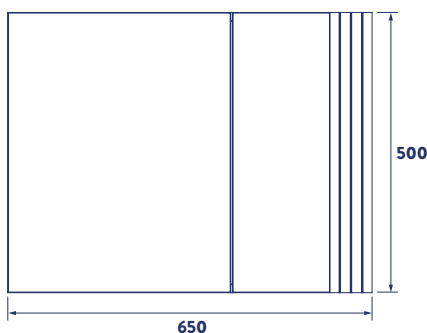
- Gloss white MDF cabinet with mirrored door
- Four adjustable glass shelves
- Left or right door opening
- Easy to install Hang 'n' Lock system (see page 43)
- Supplied fully assembled
- Packaging: White box with colour label



£125.14

Ref. *WC410122*

Door H600xW350mm
Carcass H600xW350xD110mm



£182.91

Ref. *WC410222*

Door H500xW650mm
Carcass H500xW650xD110mm

WOODEN CABINETS



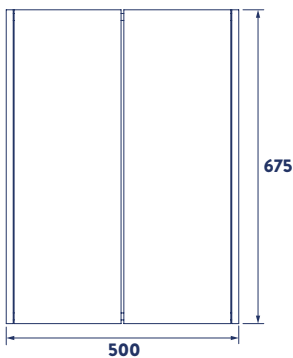
HEYDON DOUBLE DOOR BI-VIEW GREY CABINET

- Grey wood effect mirrored cabinet
- Two adjustable glass shelves
- Easy to install Hang 'n' Lock system (see page 43)
- Also available in white wood effect finish
- Supplied fully assembled
- Packaging: White box with colour label



HEYDON WHITE DOOR BI-VIEW GREY CABINET

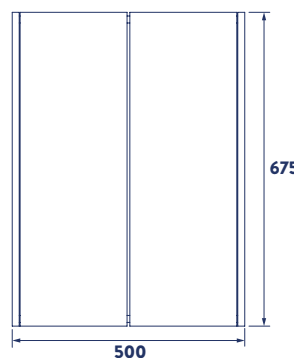
- White wood effect mirrored cabinet
- Two adjustable glass shelves
- Easy to install Hang 'n' Lock system (see page 43)
- Also available in grey wood effect finish
- Supplied fully assembled
- Packaging: White box with colour label



£234.80

Ref. WC010231

Door H600xW350mm
Carcass H600xW350xD110mm



£234.80

Ref. WC010222

Door H600xW350mm
Carcass H600xW350xD110mm



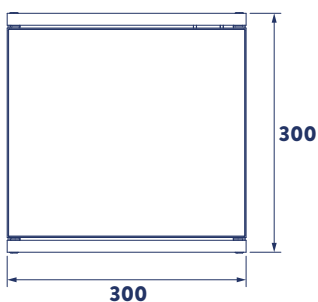
SIMPLICITY SINGLE DOOR WHITE MDF SELF-ASSEMBLY CABINET

- White MDF cabinet with mirrored door
- One adjustable shelf
- Magnetic push catch opening
- Simple self-assembly format
- All fixtures and fittings included
- Packaging: White box with colour label



SIMPLICITY SINGLE DOOR WHITE MDF SELF-ASSEMBLY CORNER CABINET

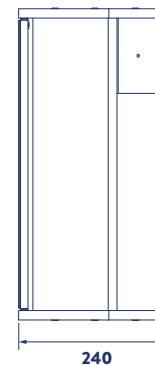
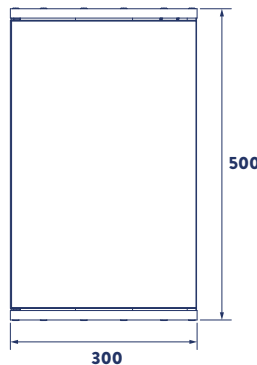
- White MDF cabinet with mirrored door
- One adjustable shelf
- Magnetic push catch opening
- Simple self-assembly format
- All fixtures and fittings included
- Packaging: White box with colour label



£42.83

Ref. WC257122

Door H260xW300mm
Carcass H300xW300xD120mm



£57.74

Ref. WC257222

Door H460xW300mm
Carcass H500xW300xD220mm

WOODEN CABINETS



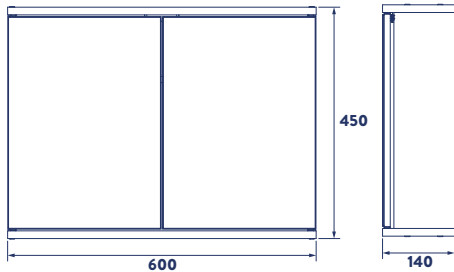
SIMPLICITY DOUBLE DOOR WHITE MDF SELF-ASSEMBLY CABINET

- White MDF cabinet with mirrored door
- One adjustable shelf
- Magnetic push catch opening
- Simple self-assembly format
- All fixtures and fittings included
- Packaging: White box with colour label



LANGHAM SINGLE DOOR WHITE MDF SELF-ASSEMBLY CABINET

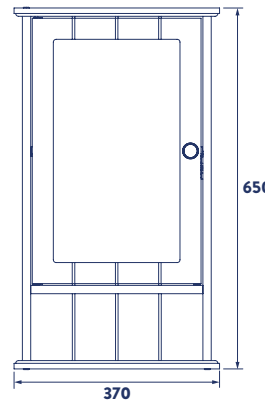
- White MDF cabinet
- One adjustable shelf
- One fixed open shelf
- Simple self-assembly format
- All fixtures and fittings included
- Packaging: White box with colour label



£68.82

Ref. WC257022

Door
H410xW600mm
Carcass
H450xW600xD120mm



£77.00

Ref. WC431222

Door
H485xW340mm
Carcass
H450xW600xD120mm



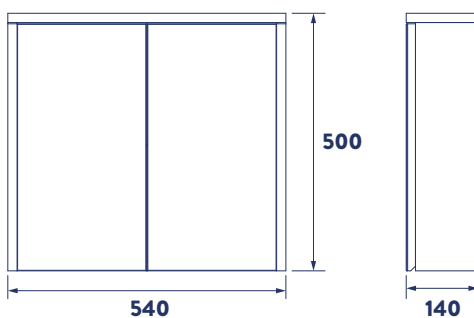
SWIVEL DOUBLE DOOR WHITE MDF CABINET

- White finish cabinet with swivel mirrored doors to provide an all round view
- One adjustable internal toughened glass shelf
- Easy to install Hang 'n' Lock system (see page 43)
- Supplied fully assembled
- All fixtures and fittings included
- Packaging: White box with colour label



WALNUT CABINET

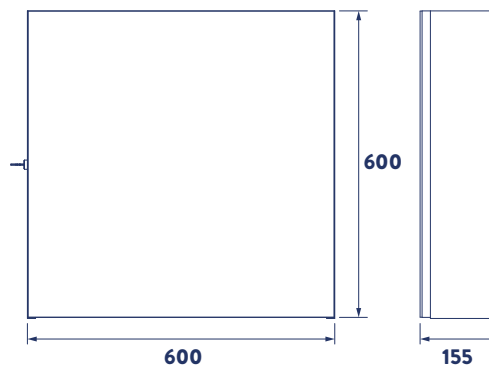
- Walnut effect single mirror cabinet door
- Two adjustable shelves
- Soft close hinges
- Secure locking system with keys for storage of medicine
- Supplied fully assembled
- All fixtures and fittings included
- Packaging: Brown box with colour label



£103.30

Ref. WC440322

Door
H480xW540mm
Carcass
H500xW540xD120mm



£196.88

Ref. WC250177

Door
H600xW600mm
Carcass
H600xW600xD135mm

PIVOTING CABINETS

Looking for a cabinet that adds style and flair? Look no further than any of the spinning cabinets. Not only do these cabinets provide a modern edge but they also maximise space making them an ideal addition for bathrooms of any size. Pivoting cabinets adds character and a modern touch whilst increasing functionality on a room. All pivoting cabinets have a high shine contemporary finish sure to make an interior design statement that will stand the test of time.

AVAILABLE IN A VARIETY OF SIZES & STYLES

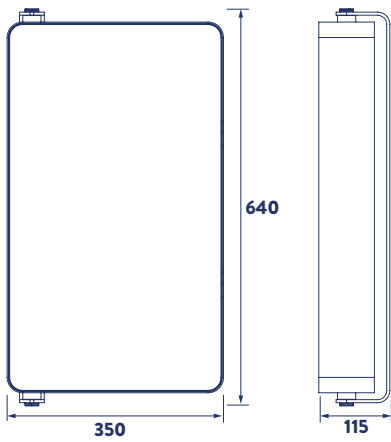


PIVOTING CABINETS



ARUN 600MM LARGE PIVOTING CABINET

- White pivoting cabinet with mirror glass
- Two fixed position shelves
- Reflective polished stainless steel backing
- Can be left or right hand mounted
- Supplied fully assembled – Fit the pivot wall bracket then mount the cabinet
- All fixtures and fittings included
- Packaging: White box with colour label



£117.39

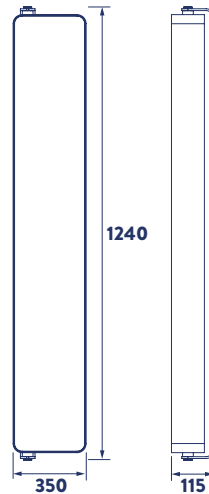
Ref. [WC880122](#)

Door
H600xW350mm
Carcass
H600xW350xD90mm



ARUN 1200MM TALL PIVOTING CABINET

- White pivoting cabinet with mirror glass
- Four fixed position shelves
- Reflective polished stainless steel backing
- Can be left or right hand mounted
- Supplied fully assembled – Fit the pivot wall bracket then mount the cabinet
- All fixtures and fittings included
- Packaging: White box with colour label



£140.87

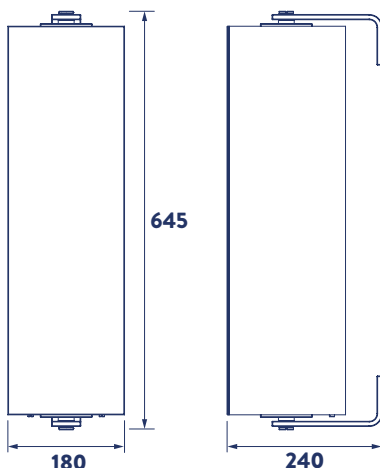
Ref. [WC880222](#)

Door
H1200xW200mm
Carcass
H1200xW200xD90mm



OTTAWA 600MM STAINLESS STEEL SPINNING CABINET

- Rotating polished stainless steel cabinet with rear storage compartments
- One adjustable toughened glass shelf with guard rails
- White MDF internal carcass in high gloss, wipe clean finish
- All fixtures and fittings included
- Packaging: White box with colour label



£140.87

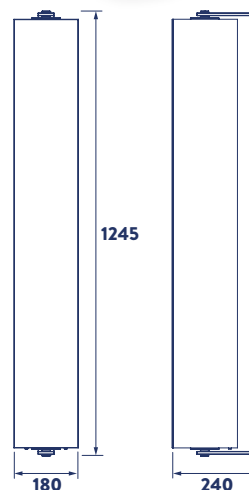
Ref. [WC880505](#)

Door
H600xW180mm
Carcass
H600xW180xD180mm
Including spinning bracket



OTTAWA 1200MM STAINLESS STEEL SPINNING CABINET

- Rotating polished stainless steel cabinet with rear storage compartments
- One fixed and two adjustable toughened glass shelves with guard rails
- White MDF internal carcass in high gloss, wipe clean finish
- All fixtures and fittings included
- Packaging: White box with colour label



£216.01

Ref. [WC880605](#)

Door
H1200xW180mm
Carcass
H1200xW180xD180mm
Including spinning bracket

BATHROOM FURNITURE

Add statement bathroom furniture for a versatile design solution. Creating focal points in the bathroom is a great way of augmenting space to achieve the desired appearance no matter the size or layout. Incorporating furniture pieces also maximises usability and ensures a timeless stylised finish to any room.

AVAILABLE IN A VARIETY OF SIZES & STYLES



BATHROOM FURNITURE



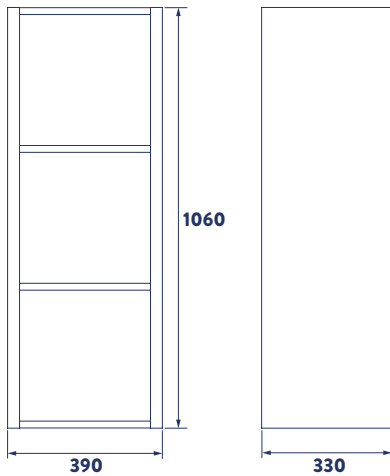
NORTON COLUMN STORAGE UNIT

- Brilliant white gloss finish
- Storage system with three open spaces
- Can be hung either portrait or landscape
- Perfect for any room in any house
- For use with storage boxes (not supplied)



BOWMONT LIGHTWOOD VANITY UNIT

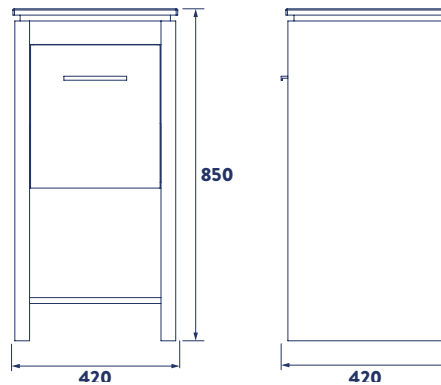
- Light wood vanity unit with high gloss white draw
- One fixed shelf
- Integrated ceramic basin (tap and waste not included)
- All fixture and fittings included



£187.83

Ref. [WC010322](#)

Storage
H330xW330xD330mm
Carcass
H1060xW390xD330mm



£234.80

Ref. [WS040478](#)

Storage
H645xW330xD415mm
Carcass
H365xW330xD415mm



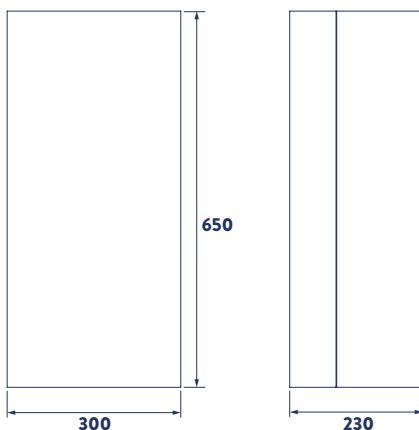
DANBY WHITE BEAUTY STATION

- Inner mirror cabinet with fold down beauty shelf
- Four shelves
- Easy to install Hang 'n' Lock system (see page 43)
- Supplied fully assembled
- Matching vanity unit available (see page 31)
- Packaging: White box with colour label



DANBY GREY BEAUTY STATION

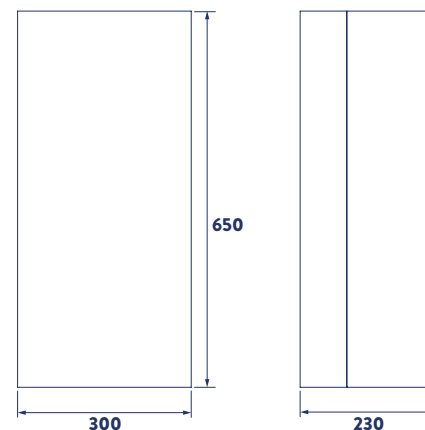
- Inner mirror cabinet with fold down beauty shelf
- Four shelves
- Easy to install Hang 'n' Lock system (see page 43)
- Supplied fully assembled
- Matching vanity unit available (see page 31)
- Packaging: White box with colour label



£234.80

Ref. [WC010422](#)

Door
H650xW300xD80mm
Carcass
H650xW300xD150mm



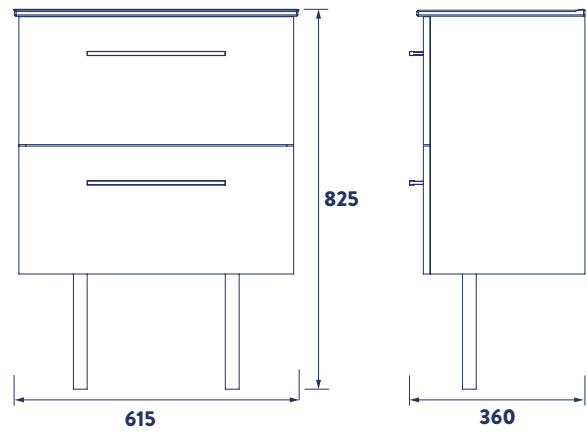
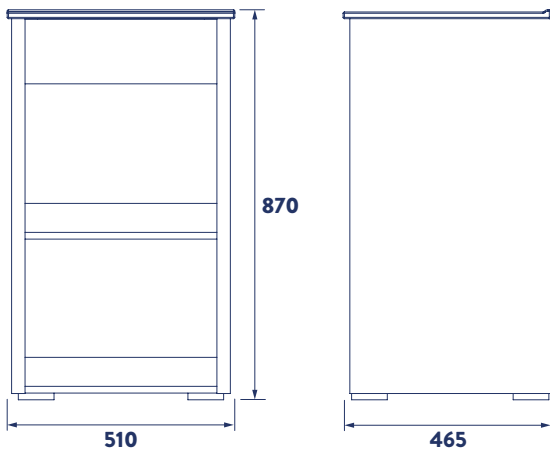
£234.80

Ref. [WC010431](#)

Door
H650xW300xD80mm
Carcass
H650xW300xD150mm



BATHROOM FURNITURE



NORTON WHITE 500MM WIDTH VANITY UNIT

- Brilliant white gloss finish
- Floor standing system
- Integrated ceramic basin (tap not included)
- Two open spaces
- Four plain metal feet
- For use with storage boxes (not supplied)
- Packaging: White box with colour label



£375.69

Ref. [WS010222](#)

Storage
H330xW430xD450mm
Carcass
H840xW490xD450mm

CHINNOCK WHITE 360MM DEPTH VANITY UNIT

- Brilliant white gloss finish
- Two soft close drawers with metal handles
- Scratch resistant
- Integrated ceramic basin (tap and waste not included)
- Easy to install Hang 'n' Lock system (see page 43)
- Includes two optional legs for extra stability
- Packaging: White box with colour label



£375.69

Ref. [WS010722](#)

Storage
H280xW600xD335mm
Carcass
H560xW600xD335mm

BATHROOM FURNITURE



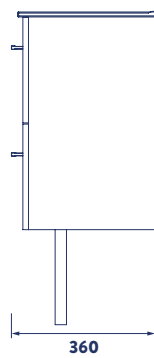
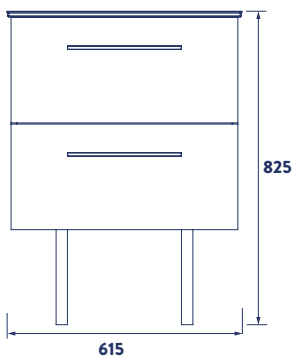
CHINNOCK GREY 360MM DEPTH VANITY UNIT

- Grey wood effect finish
- Two soft close drawers with metal handles
- Integrated ceramic basin (tap and waste not included)
- Easy to install Hang 'n' Lock system (see page 43)
- Includes two optional legs for extra stability
- Packaging: White box with colour label



BOSTON WHITE VANITY UNIT

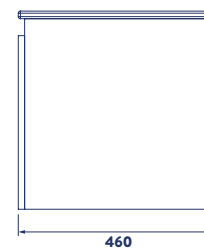
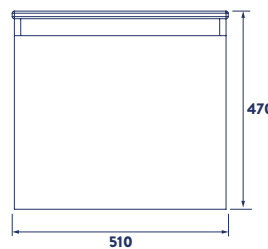
- Brilliant white gloss finish
- Two drawer unit with soft close (one drawer and one top inner drawer)
- Scratch resistant
- Integrated ceramic basin (tap and waste not included)
- Easy to install Hang 'n' Lock system (see page 43)
- Packaging: White box with colour label



£403.86

Ref. [WS010731](#)

Storage
H280xW600xD335mm
Carcass
H560xW600xD335mm



£422.65

Ref. [WS010122](#)

Storage
H450xW500xD460mm
Carcass
H450xW500xD460mm



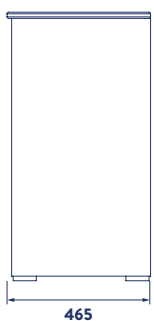
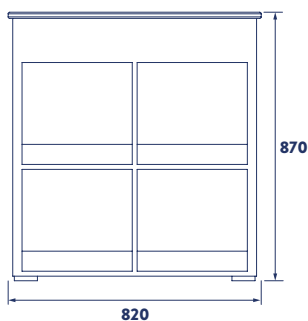
NORTON VANITY UNIT (800MM WIDTH)

- Brilliant white gloss finish
- Floor standing system
- Integrated ceramic basin (tap and waste not included)
- Four open spaces
- Four plain metal feet
- For use with storage boxes (not supplied)
- Packaging: White box with colour label



CHINNOCK VANITY UNIT (460MM DEPTH)

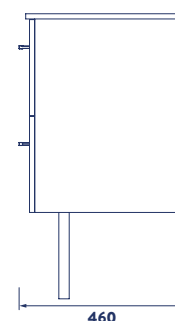
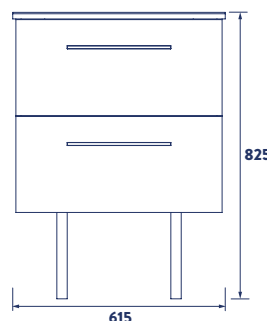
- Brilliant white gloss finish
- Two soft close drawers with metal handles
- Integrated ceramic basin (tap and waste not included)
- Easy to install Hang 'n' Lock system (see page 43)
- Includes two optional legs for extra stability
- Packaging: White box with colour label



£422.65

Ref. [WS010322](#)

Storage
H330xW360xD465mm
Carcass
H835xW790xD460mm



£469.61

Ref. [WS010522](#)

Storage
H280xW600xD435mm
Carcass
H560xW600xD435mm

BATHROOM FURNITURE



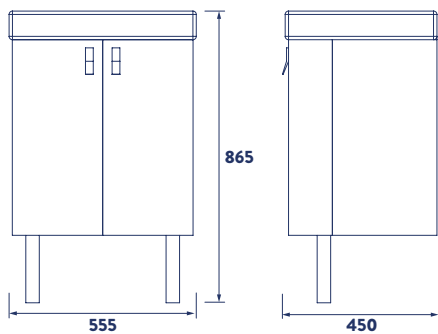
DANBY WHITE VANITY UNIT

- Two door unit with metal handles and soft close doors
- Four door shelves
- Two top door trays
- Two inner storage compartments
- Integrated ceramic basin (tap and waste not included)
- Easy to install Hang 'n' Lock system (see page 43)
- Includes two optional legs for extra stability
- Supplied fully assembled
- Matching beauty station available
- Packaging: White box with colour label



DANBY GREY VANITY UNIT

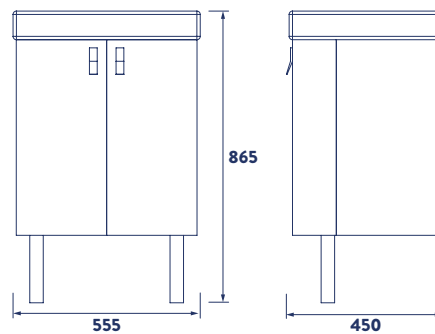
- Two door unit with metal handles and soft close doors
- Four door shelves
- Two top door trays
- Two inner storage compartments
- Integrated ceramic basin (tap and waste not included)
- Easy to install Hang 'N' Lock system (see page 43)
- Includes two optional legs for extra stability
- Supplied fully assembled
- Matching beauty station available
- Packaging: White box with colour label



£610.50

Ref. [WS010422](#)

Storage
H580xW535xD440mm
Carcass
H780xW535xD440mm



£610.50

Ref. [WS010431](#)

Storage
H580xW535xD440mm
Carcass
H780xW535xD440mm



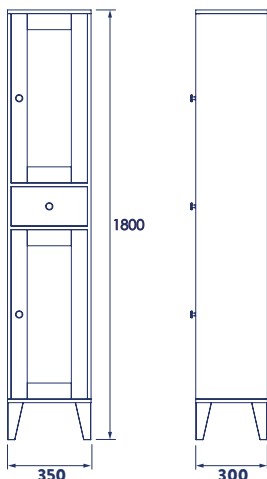
CHETFORD WHITE FLOOR STANDING TALL CUPBOARD

- Tall boy unit with two soft close doors and middle drawer with soft close
- Glass inner shelves
- Ceramic handles
- Supplied fully assembled
- Packaging: White box with colour label



CHETFORD WHITE FLOOR STANDING VANITY UNIT

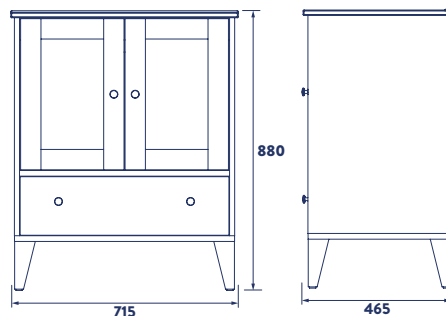
- Wooden floor standing unit with two soft close doors
- Integrated ceramic basin (tap not included)
- One drawer with soft close
- Wooden legs
- Ceramic handles
- Supplied fully assembled
- Packaging: White box with colour label



£657.47

Ref. [WC010522](#)

Storage
H710xW350xD300mm
Carcass
H1645xW350xD300mm



£751.39

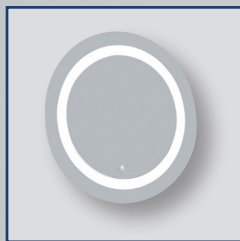
Ref. [WS010822](#)

Storage
H700xW690xD450mm
Carcass
H880xW690xD450mm

ILLUMINATED MIRRORS

Transform any bathroom environment with the inclusion of a bright illuminated mirror. The warm glow enhances any aesthetic providing a luxurious, inviting ambiance which is sure to transform any bathroom into a relaxing haven. Lighting in a bathroom is essential for manipulating the size, shape and finish of a room.

AVAILABLE IN A VARIETY OF SIZES & STYLES



ILLUMINATED MIRRORS



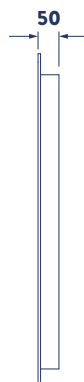
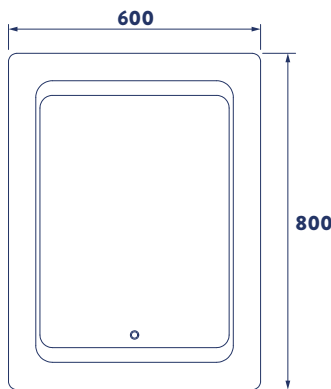
SHERSTON LED ILLUMINATED MIRROR

- Touch sensitive power switch
- Heated demister pad
- Can be hung either portrait or landscape
- IP44 rated, suitable for use in the outside zone
- Easy to install Hang 'n' Lock system (see page 43)
- Packaging: White box with colour label



HALINGTON ILLUMINATED MIRROR

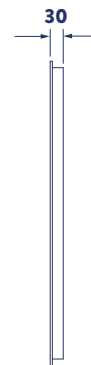
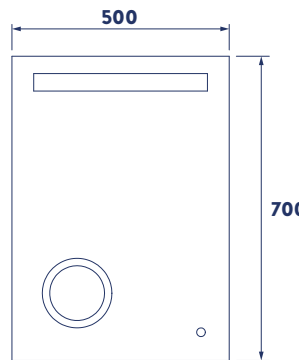
- Touch sensitive power switch
- Heated demister pad
- One LED light strip and one circular LED light
- 3 x Magnifying beauty mirror
- Can be hung portrait only
- IP44 rated, suitable for use in the outside zone
- Easy to install Hang 'n' Lock system (see page 43)
- Packaging: White box with colour label



£234.80

Ref. [MM710500E](#)

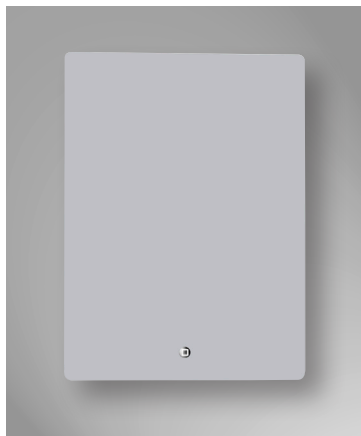
Mirror
H800xW600mm



£140.87

Ref. [MM720800E](#)

Mirror
H700xW500mm



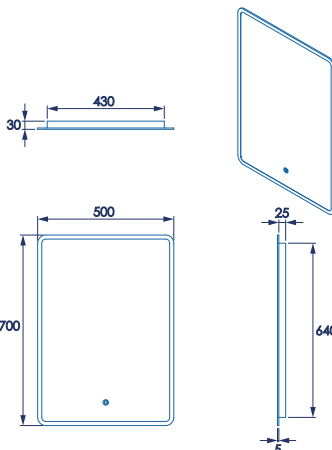
CHILCOMBE ILLUMINATED MIRROR

- Touch sensitive power switch
- Heated demister pad
- Edge lit mirror
- Can be hung either portrait or landscape
- IP44 rated, suitable for use in the outside zone
- Easy to install Hang 'n' Lock system (see page 43)
- Packaging: White box with colour label



ROOKLEY VERTICAL ILLUMINATED MIRROR

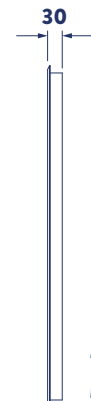
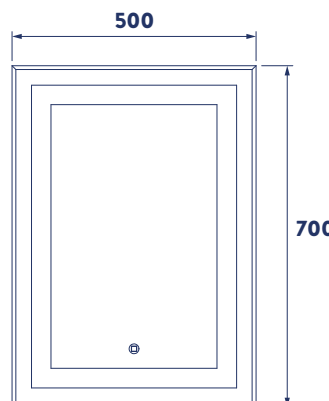
- Touch sensitive power switch
- Heated demister pad
- Full frame LED light
- Can be hung either portrait or landscape
- IP44 rated, suitable for use in the outside zone
- Easy to install Hang 'n' Lock system (see page 43)
- Packaging: White box with colour label



£164.35

Ref. [MM720200E](#)

Mirror
H700xW500mm

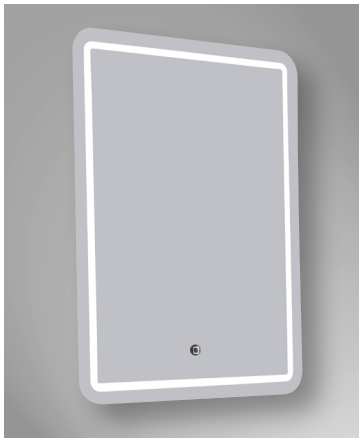


£164.35

Ref. [MM720700E](#)

Mirror
H700xW500mm

ILLUMINATED MIRRORS



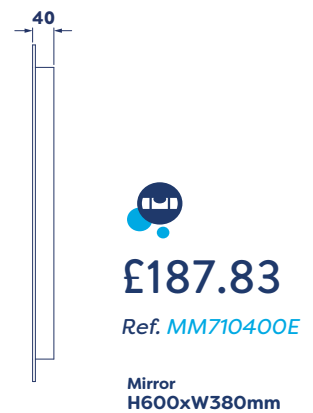
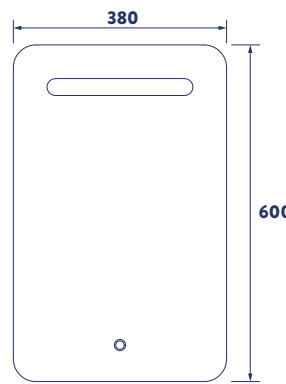
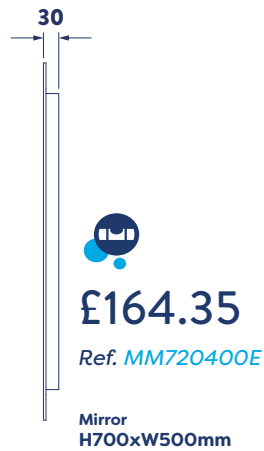
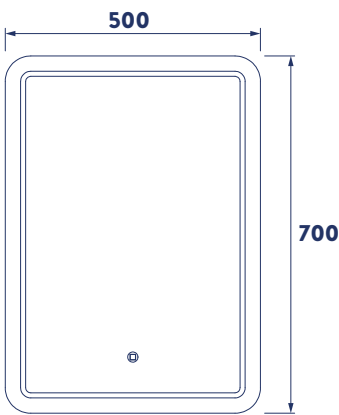
CHAWSTON ILLUMINATED SQUARE MIRROR

- Touch sensitive power switch
- Heated demister pad
- Full frame LED
- Can be hung either portrait or landscape
- IP44 rated, suitable for use in the outside zone
- Easy to install Hang 'n' Lock system (see page 43)
- Packaging: White box with colour label



HENMORE LED ILLUMINATED MIRROR

- Touch sensitive power switch
- Heated demister pad
- IP44 rated, suitable for use in the outside zone
- Easy to install Hang 'n' Lock system (see page 43)
- Packaging: White box with colour label



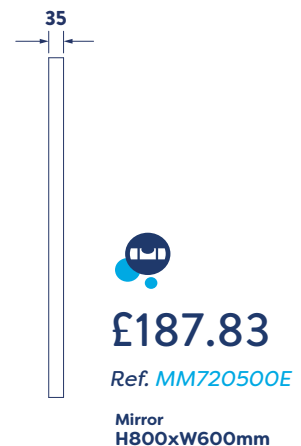
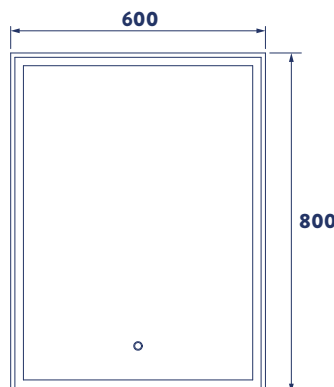
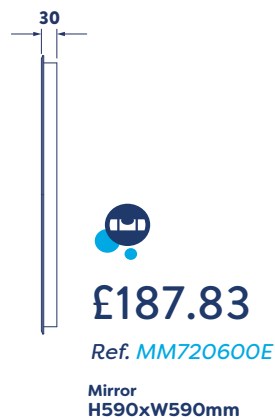
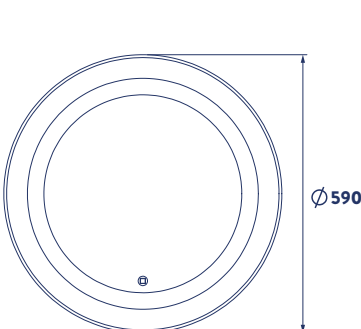
BIRCHWOOD ILLUMINATED ROUND MIRROR

- Touch sensitive power switch
- Heated demister pad
- Circular LED light
- Bevelled edge
- IP44 rated, suitable for use in the outside zone
- Easy to install Hang 'n' Lock system (see page 43)
- Packaging: White box with colour label



MARLOW ILLUMINATED SIMPLE MIRROR

- Touch sensitive power switch
- Heated demister pad
- Halo effect lighting
- IP44 rated, suitable for use in the outside zone
- Easy to install Hang 'n' Lock system (see page 43)
- Packaging: White box with colour label

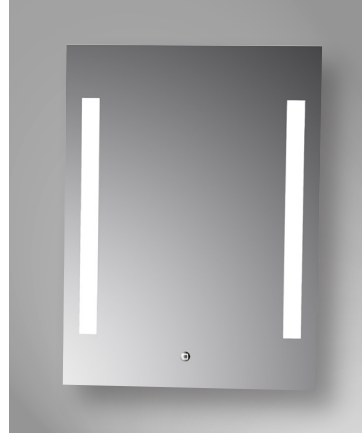


ILLUMINATED MIRRORS



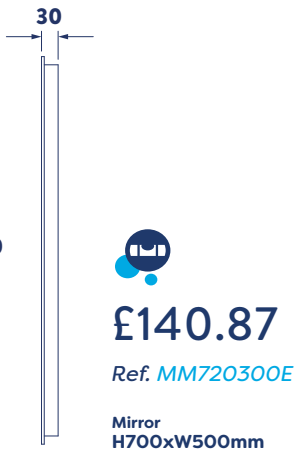
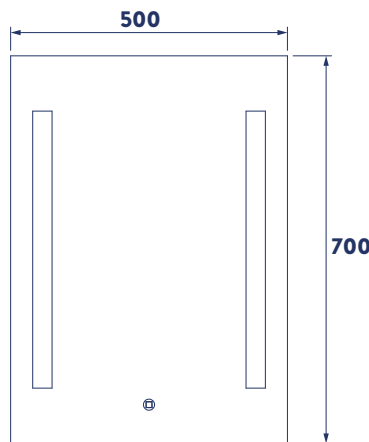
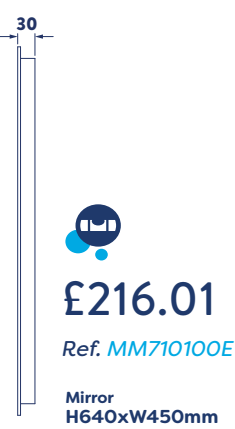
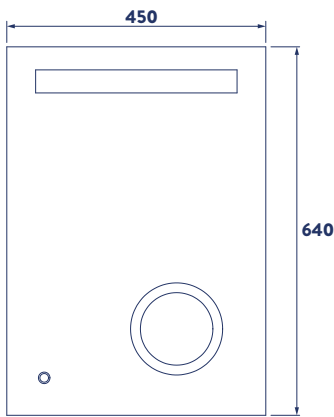
CARROCK LED ILLUMINATED MIRROR

- Touch sensitive power switch
- Heated demister pad
- IP44 rated, suitable for use in the outside zone
- Easy to install Hang 'n' Lock system (see page 43)
- Packaging: White box with colour label



HENBURY ILLUMINATED MIRROR

- Touch sensitive power switch
- Heated demister pad
- Two LED light strips
- Can be hung either portrait or landscape
- IP44 rated, suitable for use in the outside zone
- Easy to install Hang 'n' Lock system (see page 43)
- Packaging: White box with colour label



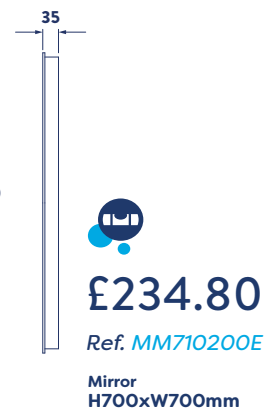
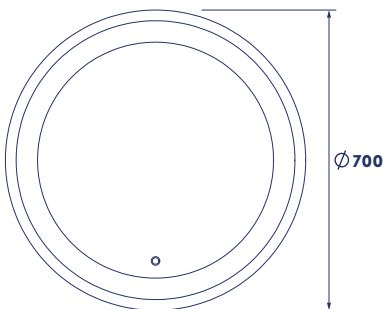
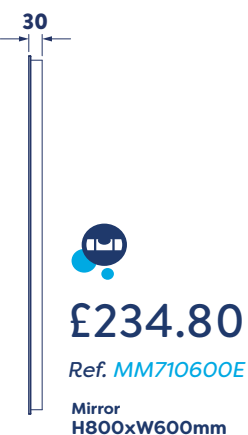
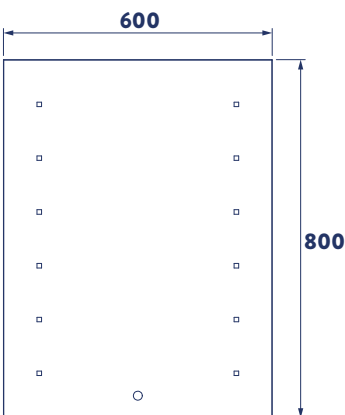
CHEATON LED ILLUMINATED MIRROR

- Touch sensitive power switch
- Heated demister pad
- Can be hung either portrait or landscape
- IP44 rated, suitable for use in the outside zone
- Easy to install Hang 'n' Lock system (see page 43)
- Packaging: White box with colour label

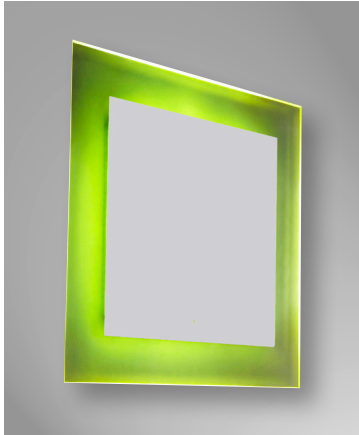


WYNCHAM LED ILLUMINATED MIRROR

- Touch sensitive power switch
- Heated demister pad
- IP44 rated, suitable for use in the outside zone
- Easy to install Hang 'n' Lock system (see page 43)
- Packaging: White box with colour label



ILLUMINATED MIRRORS



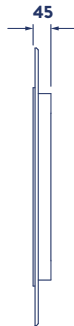
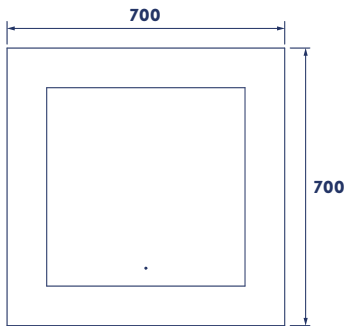
OAKLEY ILLUMINATED MIRROR

- Remote controlled
- Heated demister pad
- Multiple colour changes and mood lighting options
- IP44 rated, suitable for use in the outside zone
- Easy to install Hang 'n' Lock system (see page 43)
- Packaging: White box with colour label



ROTHLEY LED ILLUMINATED MIRROR

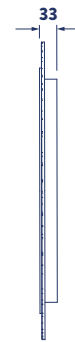
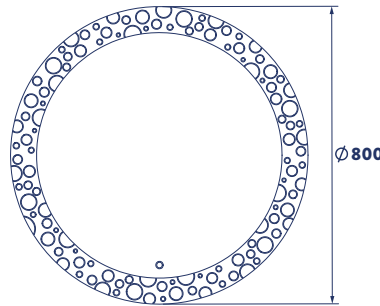
- Touch sensitive power switch
- Heated demister pads
- Bevelled mirror
- Etched glass surround
- IP24 rated, suitable for use in the outside zone
- Easy to install Hang 'n' Lock system (see page 43)
- Packaging: White box with colour label



£234.80

Ref. *MM720100E*

Mirror
H700xW700mm



£328.72

Ref. *MM710300E*

H800xW800mm
Mirror Diameter: 660mm



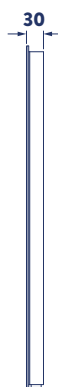
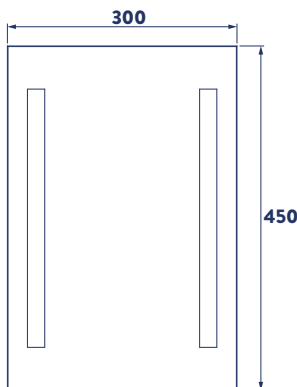
MALHAM ILLUMINATED MIRROR

- Button power switch
- Two LED strip lights
- Battery operated
- Requires 8 x AA batteries
- Can be hung portrait only
- Packaging: White box with colour label



THORNTON ILLUMINATED MIRROR

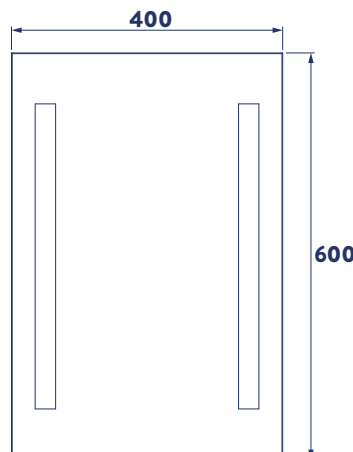
- Button power switch
- Two LED strip lights
- Battery operated
- Requires 8 x AA batteries
- Can be hung portrait only
- Packaging: White box with colour label



£41.67

Ref. *MM730100E*

Mirror
H450xW300mm

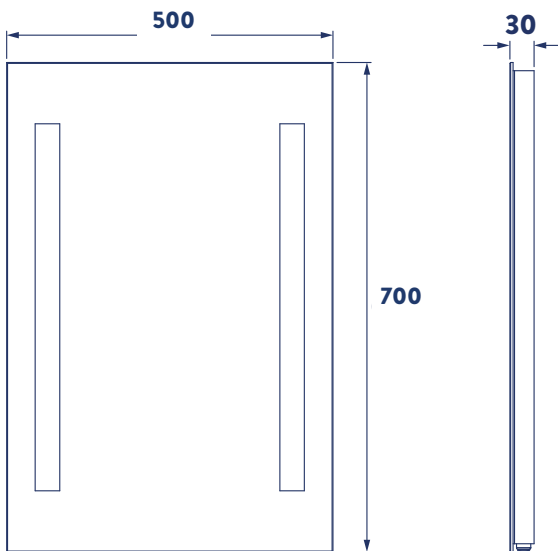


£50.00

Ref. *MM731100E*

Mirror
H600xW400mm

ILLUMINATED MIRRORS



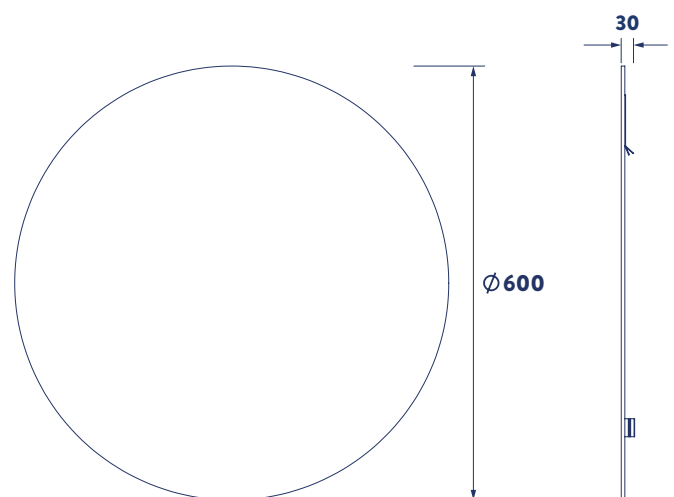
HORTON ILLUMINATED MIRROR

- Button power switch
- Two LED light strips
- Battery operated
- Requires 8 x AA batteries
- Can be hung portrait only

£66.67

Ref. [MM731200E](#)

Mirror
H700xW500xD30mm



MARSTON ILLUMINATED MIRROR

- Button power switch
- Ten star lights
- Battery operated
- Requires 8 x AA batteries

£91.67

Ref. [MM731700E](#)

Mirror
H600xW600xD30mm

MIRRORS

Adding a mirror is an essential way of enhancing space and light which in turn creates a relaxing ambiance. Choose from the varied selection of designs to find a mirror that will add more than just a stylish accessory to any bathroom.

AVAILABLE IN A VARIETY OF SIZES & STYLES



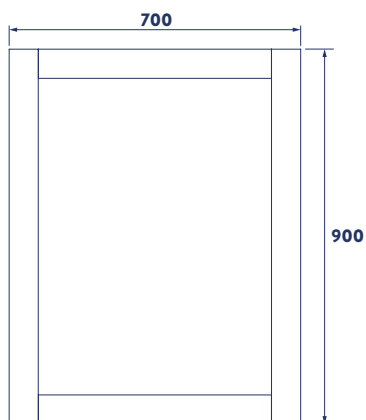
CHETFORD WHITE MIRROR


- White matt finish mirror
- Classic design suitable for any room in the house
- Matching items available (see page 31)
- Easy to install Hang 'n' Lock system
- Packaging: White box with colour label
- Can be fitted landscape and portrait

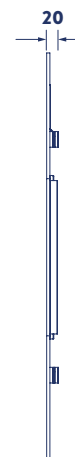
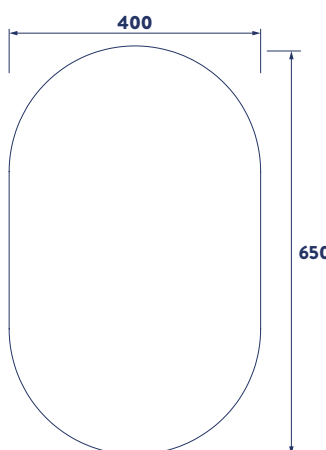


HARROP OBLONG MIRROR

- High quality 5mm safety backed mirror glass
- Can be hung either portrait or landscape
- Easy to install Hang 'n' Lock system (see page 43)
- Packaging: White box with colour label

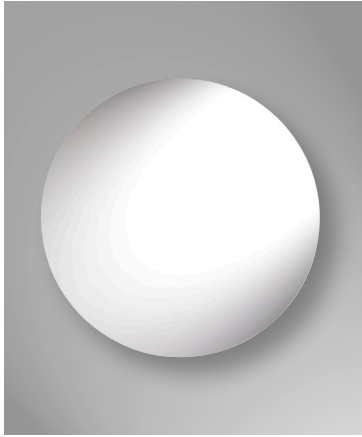



£187.83
 Ref. *MM010122*
 Mirror
 H900xW700mm




£63.85
 Ref. *MM701300*
 Mirror
 H650xW400mm

MIRRORS



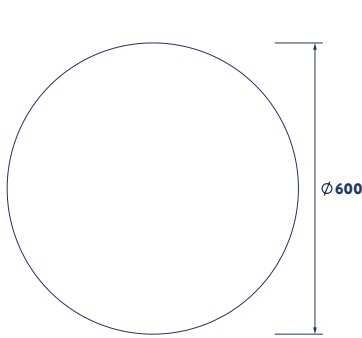
SIMPSON ROUND MIRROR

- High quality 5mm safety backed mirror glass
- Simple, elegant design
- Easy to install Hang 'n' Lock system (see page 43)
- Packaging: White box with colour label

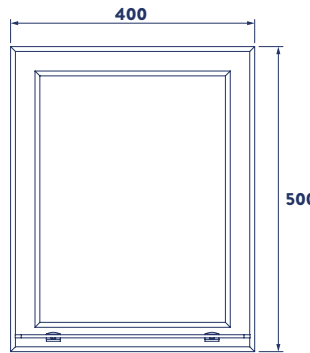


RYDAL RECTANGULAR MIRROR WITH SHELF

- High quality 5mm safety backed mirror glass
- 5mm bevelled edges
- One clear toughened glass shelf with chrome plated brackets
- Wide shelf provides useful additional storage
- Elegant mirror on mirror design
- Easy to install Hang 'n' Lock system (see page 43)
- Packaging: White box with colour label




£70.42
 Ref. *MM701500*
 Mirror
 H660xW660mm




£70.42
 Ref. *MM700800*
 Mirror
 H640xW450mm
 Shelf
 W385xD120mm



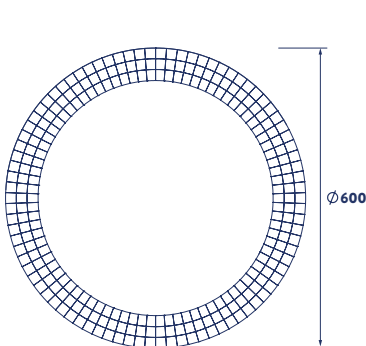
MEADLEY CIRCULAR MIRROR WITH MOSAIC SURROUND

- High quality 5mm safety backed mirror glass
Decorative glass mosaic border
- Suitable for any room in the house
- Easy to install Hang 'n' Lock system (see page 43)
- Packaging: White box with colour label

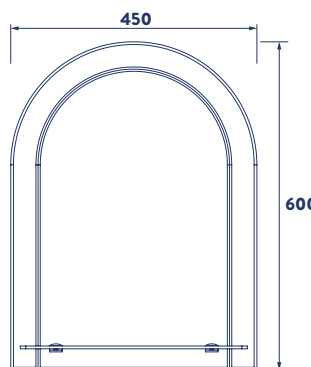


FAIRFIELD ARCH MIRROR WITH SHELF

- High quality 5mm safety backed mirror glass
- 5mm Bevelled edges
- One clear toughened glass shelf with chrome plated brackets
- Decorative inset bevel
- Easy to install Hang 'n' Lock system (see page 43)
- Packaging: White box with colour label

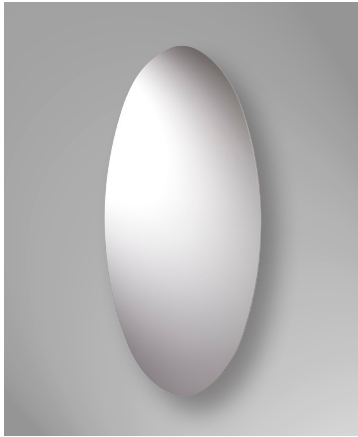



£75.12
 Ref. *MM700700*
 Mirror
 H600xW600mm



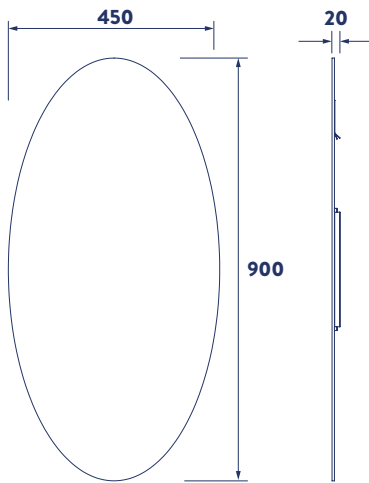

£75.12
 Ref. *MM700400*
 Mirror
 H600xW450mm
 Shelf
 W415xD120mm

MIRRORS



BELHAM OVAL MIRROR

- High quality 5mm safety backed mirror glass
- Can be hung either portrait or landscape
- Easy to install Hang 'n' Lock system (see page 43)
- Packaging: White box with colour label



£79.82

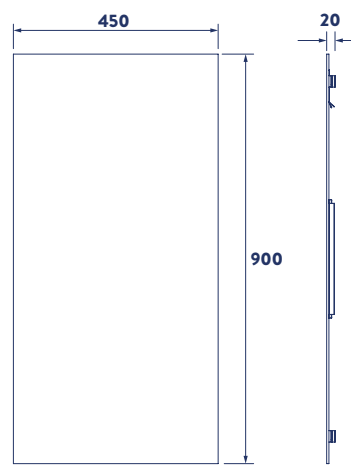
Ref. *MM701200*

Mirror
H900xW450mm



KENTMERE RECTANGULAR MIRROR

- High quality 5mm safety backed mirror glass
- Can be hung either portrait or landscape
- Easy to install Hang 'n' Lock system (see page 43)
- Packaging: White box with colour label



£79.82

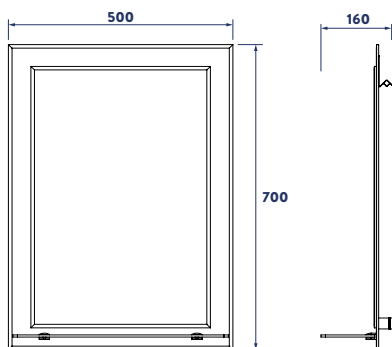
Ref. *MM701400*

Mirror
H900xW450mm



DEVOKE RECTANGULAR DOUBLE LAYER MIRROR WITH SHELVES

- High quality 5mm safety backed mirror glass
- 5mm Bevelled edges
- One clear toughened glass shelf with chrome plated brackets
- Elegant mirror on mirror design
- Easy to install Hang 'n' Lock system (see page 43)
- Packaging: White box with colour label



£84.51

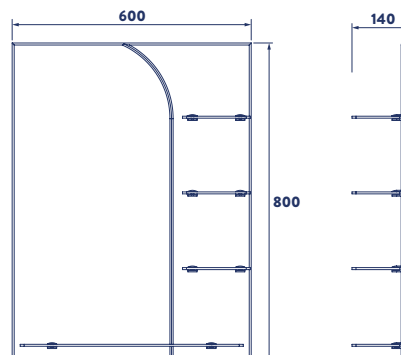
Ref. *MM700300*

Mirror
H700xW500mm
Shelf
W480xD120mm



BAMPTON RECTANGULAR MIRROR SHELF

- High quality 5mm safety backed mirror glass
- 5mm bevelled edges
- Four clear toughened glass shelves with chrome plated brackets
- Four shelves
- Easy to install Hang 'n' Lock system (see page 43)
- Packaging: White box with colour label



£93.91

Ref. *MM700100*

Mirror
H800xW600mm
Shelf
H170W120/560xD120mm

MIRRORS



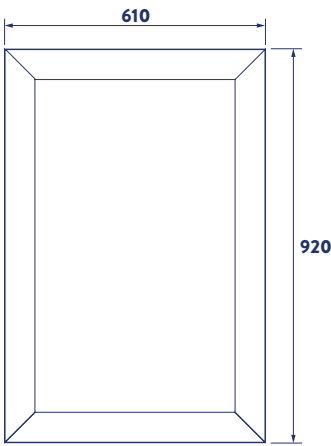
PARKGATE RECTANGULAR MIRROR WITH BRUSHED STAINLESS STEEL FRAME

- High quality safety backed mirror glass
- Brushed stainless steel frame
- Can be hung portrait or landscape
- Easy to install Hang 'n' Lock system (see page 43)
- Packaging: White box with colour label



MAINE MIRROR WHITE

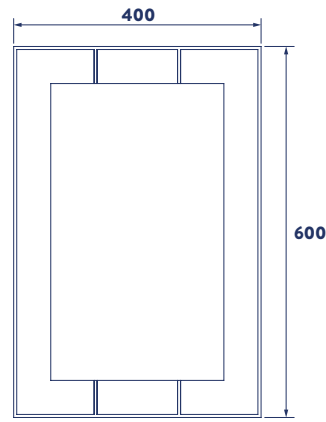
- White painted pine wood
- Wipe clean and moisture resistant
- Concealed fixings
- Easy to fit, all fixings included
- Safety backed glass
- Packaging: White box with colour label



£103.30

Ref. *MM701605*

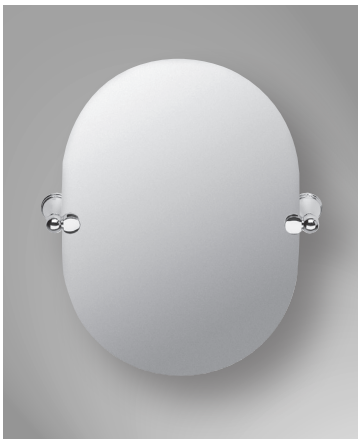
Mirror
H920xW610mm



£35.60

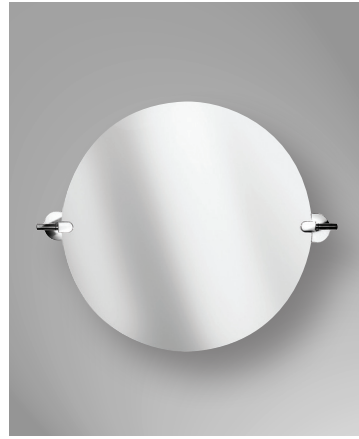
Ref. *WA971022*

Mirror
H600xW400mm



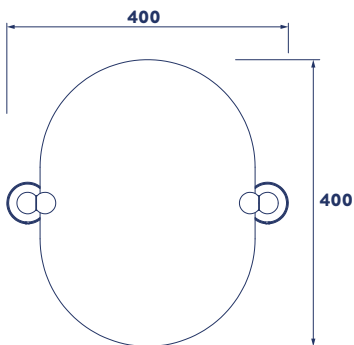
WESTMINSTER MIRROR

- Durable zinc alloy construction with high quality chrome plated finish
- Concealed fixings
- Easy to fit, all fixings included
- Adjustable tilt brackets and safety backed glass
- Packaging: White box with colour label



HAMPSTEAD MIRROR

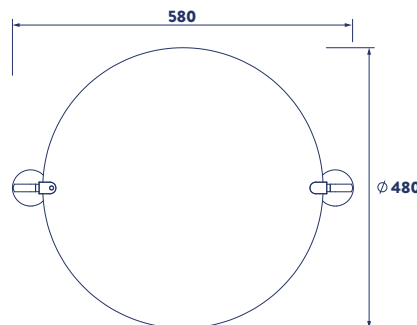
- Durable zinc alloy construction with high quality chrome plated finish
- Concealed fixings
- Easy to fit - all fixings included
- Adjustable tilt brackets and safety backed glass
- Packaging: White box with colour label



£41.82

Ref. *QM201041BOX*

Mirror
4000xW400mm



£51.64

Ref. *QM641041*

Mirror
H480xW580mm

PLASTIC CABINETS

INCORPORATE ANY OF THE PLASTIC CABINETS INTO YOUR BATHROOM FOR A TIDY AND COMPACT SOLUTION.



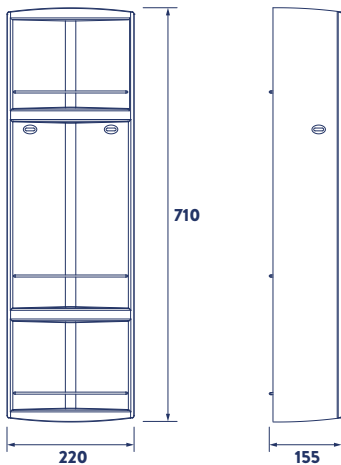
COMPACT THREE TIER PLASTIC STORAGE UNIT

- White durable polypropylene corner design
- Decorative chrome retaining bars provide secure storage
- Supplied fully assembled
- All fixtures and fittings included
- Packaging: Shrink wrapped with label



PLASTIC MIRROR CABINET

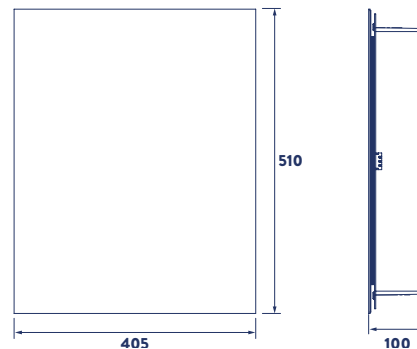
- Plastic cabinet with mirrored door
- Two adjustable shelves
- Supplied fully assembled
- All fixtures and fittings included
- Packaging: Brown box with colour label



£29.56

Ref. [WC258022](#)

Storage
H710xW220xD155mm



£50.00

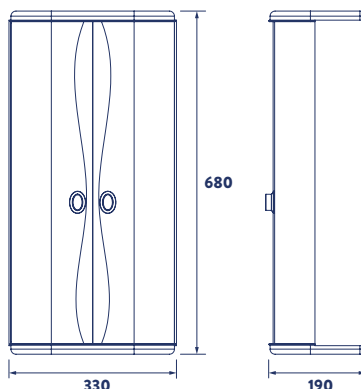
Ref. [WC262522](#)

Door
H510xW405mm
Carcass
H440xW345xD90mm



DOUBLE DOOR PLASTIC CABINET

- Rotating doors
- Perfect for small spaces
- Three adjustable shelves
- Made from hard wearing ABS water resistant material
- Supplied fully assembled
- All fixtures and fittings included
- Packaging: White box with colour label



£78.88

Ref. [WC262122](#)

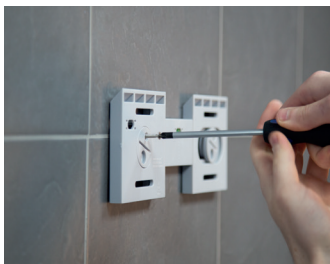
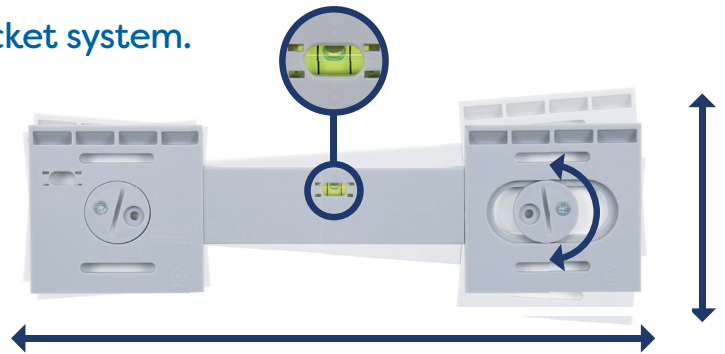
Storage
H680xW330xD190mm



EASY INSTALLATION BRACKET, FULLY ADJUSTABLE, SINGLE PERSON INSTALLATION

Easy installation Hang 'n' Lock cabinets and mirrors are simple to fit using the unique bracket system.

1. **FIX** the bracket to the wall
2. **ADJUST** the level
3. **HANG** your mirror or cabinet
4. **LOCK** securely in place



Step 1 - Attach the bracket to the wall



Step 2 - Adjust the level



Step 3 - Hang your mirror or cabinet



Step 4 - Lock securely in place *
Different locking systems apply to mirrors and cabinets

FOR VIDEO DEMOS **SEARCH HANG'N'LOCK** IN YOUR INTERNET BROWSER OR VISIT CROYDEX.COM



Wall mounted accessories featured throughout this catalogue are available from WWW.CROYDEX.COM





Croydex is a division of Norcross Group (Holdings) Limited
Central Way, Andover, Hampshire, SP10 5AW, UK
Tel: +44 (0) 1264 365881 **Fax:** +44 (0) 1264 356437
Sales: sales@croydex.co.uk **Helpline:** info@croydex.co.uk

www.croydex.com

FB999887